

Jabra

BT530

USER MANUAL

A BRAND BY

 Netcom

ENGLISH

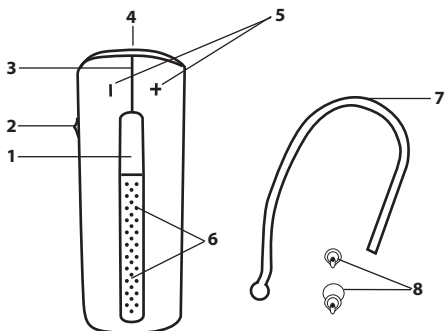
THANK YOU.....	2
ABOUT YOUR JABRA BT530	2
WHAT YOUR HEADSET DOES.....	3
GETTING STARTED	4
CHARGE YOUR HEADSET.....	4
TURNING YOUR HEADSET ON AND OFF	5
PAIRING IT WITH YOUR PHONE.....	5
WEARING STYLE	6
HOW TO	6
WHAT THE LIGHTS MEAN	8
LISTENING TO MUSIC USING THE JABRA BT530.....	9
USING BT530 WITH TWO MOBILE PHONES	9
USING A JABRA BLUETOOTH HUB.....	9
TROUBLESHOOTING & FAQ	10
NEED MORE HELP?.....	11
TAKING CARE OF YOUR HEADSET	11
WARNING!	11
SAFETY INFORMATION!	12
BUILT-IN BATTERY CARE:.....	13
CHARGER CARE:	14
WARRANTY	15
CERTIFICATION AND SAFETY APPROVALS.....	17
GLOSSARY	18

THANK YOU

Thank you for purchasing the Jabra BT530 Bluetooth® headset. We hope you enjoy it! This instruction manual will get you started and ready to make the most of your headset.

ABOUT YOUR JABRA BT530

- 1 Answer/end button**
- 2 On/off button**
- 3 LED light**
- 4 Charging socket**
- 5 Volume up/volume down**
- 6 Microphones**
- 7 Ear hook**
- 8 Ear gels**



WHAT YOUR HEADSET DOES

Your Jabra BT530 lets you do all this:

- Answer calls
- End calls
- Reject calls*
- Voice dialing*
- Last number redialing*
- Call waiting*
- Put call on hold*
- Mute
- Multi-point - being connected to two Bluetooth devices at the same time
- Play music*

Specifications

- Talk time up to 5½ hours/standby time up to 250 hours
- Rechargeable battery with charging option from AC power supply, PC via USB cable or car charger (not included)
- Multi-colored light for status and battery indicator
- Quiet mode – turns light off after one minute
- Size: L 48 mm x W 18 mm x D 12,5 mm
- Weight: 10 grams
- Dual Microphone solution for Noise Blackout™
- Digital sound enhancement via DSP technology
- Noise reduction on transmitted and received audio
- Noise dependent volume control*
- Automatic volume adjustment on receive audio
- Acoustic shock protection
- Qualified for Bluetooth Specification version 2.0 + EDR (enhanced data rate), supporting Headset and Hands-free Profiles for phone conversations and Advanced Audio Distribution Profile (A2DP) for streaming music
- e-SCO for enhanced audio quality
- 128 bit encryption
- Operating range up to 10 meters (approx. 33 feet)

GETTING STARTED

You should follow three steps before using your headset

- 1. Charge your headset**
- 2. Activate Bluetooth on your mobile phone (refer to the manual for your Mobile phone)**
- 3. Pair your headset to your mobile phone**

The Jabra BT530 is easy to operate. The answer/end button on the headset performs different functions depending on how long you press it.

Instruction	Duration of press
Tap	Press briefly
Double Tap	2 quickly repeated taps
Press	Approx: 1 second
Press and hold	Approx: 5 seconds

CHARGE YOUR HEADSET

Make sure that your headset is fully charged before you start using it (duration app. 2 hours). Use the AC power supply to charge from a power socket. When the light indicator (LED) has a solid LED light, your headset is charging. When the LED light is solid green your headset is fully charged.

Use only the charger provided in the box - do not use chargers from any other devices as this may damage your headset.

What you see	Charge Level
Solid Red	Less than 70% charged
Solid Yellow	Between 70% and fully charged
Solid Green	Fully charged

Please note: The lifetime of the battery will be significantly reduced if your device is left uncharged for a long period. We therefore recommend that you recharge your device at least once a month.

TURNING YOUR HEADSET ON AND OFF

- Slide the on/off button forward on the side of the headset to turn on the headset. The LED will flash green for a second when the headset is on.
- Slide the on/off button backward to turn off the headset.

PAIRING IT WITH YOUR PHONE

Headsets are connected to phones using a procedure called 'pairing'. By following a few simple steps, a phone can be paired with a headset in a matter of minutes.

1. Put the headset in pairing mode

- When you turn on your Jabra BT530 for the first time, the headset will automatically start up in pairing mode – i.e. it is discoverable for your phone. When the headset is in pairing mode the LED is constantly lit.

2. Set your Bluetooth phone to 'discover' the Jabra BT530

- Follow your phone's instruction guide. First make sure that Bluetooth is activated on your mobile phone. Then set your phone to discover the headset. This usually involves going to a 'setup,' 'connect' or 'Bluetooth' menu on your phone and selecting the option to 'discover' or 'add' a Bluetooth device.*

3. Your phone will find the Jabra BT530

- Your phone will find the headset under name "Jabra BT530". Your phone then asks if you want to pair with the headset. Accept by pressing 'Yes' or 'OK' on the phone and confirm with the passkey or PIN = 0000 (4 zeros). Your phone will confirm when pairing is complete.



In case of unsuccessful pairing, put the Jabra BT530 into pairing mode manually. Make sure the headset is on. Press and hold the answer/end button for approximately 5 seconds until the LED has a constant light. Keep holding down the button until light is constant.

WEARING STYLE

The Jabra BT530 is ready to be worn, but can be used with or without the ear hook. The ear hook can be removed and the headset can be used with the Ultimate Comfort Ear gels.

The Ultimate Comfort Ear gels can be used for both left and right wearing. The BT530 comes fitted with a medium sized ear gel, but it can be replaced by a small or large one. You can also twist the ear gel slightly to optimize the fit and comfort. For optimal performance, wear the Jabra BT530 and your mobile phone on the same side of your body or within line of sight. In general, you will get better performance when there are no obstructions between your headset and your mobile phone.

HOW TO

Answer a call

- Tap the answer/end button on your headset to answer a call.

End a call

- Tap the answer/end button to end an active call.

Reject a call*

- Press the answer/end button when the phone rings to reject an incoming call. Depending on your phone settings, the person who called you will either be forwarded to your voice mail or will hear a busy signal.

Make a call

- When you make a call from your mobile phone, the call will (subject to phone settings) automatically transfer to your headset. If your phone does not allow this feature, tap on the Jabra BT530's answer/end button to transfer the call to the headset.

Activate voice dialing*

- Press the answer/end button. For best results, record the voice dialing tag through your headset. Please consult your phone's user manual for more information about using this feature.

Redial last number*

- Double tap the answer/end button when the headset is on and not used.

Adjust sound and volume*

- Tap the volume up or down to adjust the volume.

Mute/un-mute

- To mute, press both volume up and down at the same time. A low beep alert plays during a muted call.
- To un-mute, tap either of the volume buttons.

Call waiting and placing a call on hold*

- This lets you put a call on hold during a conversation and answer a waiting call.
- Press the answer/end button once to put the active call on hold and answer the waiting call.
- Press the answer/end button to switch between the two calls.
- Tap the answer/end button to end the active conversation.

Battery indicator

- Tap one of the volume buttons to see the battery level.

What you see	Battery level/Talk time
2 Green flashes	1-5½ hours talk time
2 Yellow flashes	10 min.-1 hour
2 Red flashes	10 min.

WHAT THE LIGHTS MEAN

What you see	Battery level/Talk time
Flashing blue and green light	Incoming call
Flashing blue light	Flashing every three seconds: In Standby mode and connected to mobile phone (only for 1 minute then off)
Flashing green light	Flashing every three seconds: In standby mode – not connected (only for 1 minute then off)
Flashing blue light	Flashing every second: active call (only for 30 seconds then off)
Flashing red light	Running low on battery
Flashing purple light	Flashing every seconds: Connected in A2DP streaming music (only for 30 seconds then off)
Solid blue light	In pairing mode
Solid purple light	Special music pairing mode See chapter Troubleshooting & FAQ - Frequently Asked Questions
Solid green light	Fully charged
Solid yellow light	Charging level between 70% and fully charged
Solid red light	Charging level less than 70%

LISTENING TO MUSIC USING THE JABRA BT530

Jabra BT530 is capable of streaming music over Bluetooth - either from a mobile phone or any other Bluetooth device supporting A2DP. Once you have paired your BT530 with your mobile phone or to the Bluetooth music player, use your phone or music player to play, pause, stop, skip forward and backward. When you receive a call, the music will automatically be suspended and you will be able to answer or reject a call through the headset. Once you end a call, the music should recommence. On some phones and music devices you may have to press 'play' to start the music again.

USING BT530 WITH TWO MOBILE PHONES

Jabra BT530 is capable of having two mobile phones (or Bluetooth devices) connected to the headset at the same time. This will give you the freedom of having only one headset to operate both your mobile phones. Please note that Last Number Redial will dial the number from the last outgoing call, independent of the mobile phone, and the Voice Dialing function will only work on the last paired mobile phone.

USING A JABRA BLUETOOTH HUB

The Jabra BT530 can be used along with the Jabra Bluetooth Hub (sold separately). This will enable you to use the headset with both your mobile phone and your office phone.

To pair the Jabra BT530 with the Jabra Bluetooth Hub

The pairing process is a little different:

1. Put your Jabra BT530 in pairing mode
2. Put the Jabra Bluetooth Hub in pairing mode.
3. Place them close together. You do not need a dedicated pin code to pair the two Jabra products.

Consult the Jabra Bluetooth Hub user manual for more information on how to connect the Bluetooth hub to your office phone. The use of the Jabra BT530 with the Jabra Bluetooth Hub is very similar to using the headset with a mobile phone only. The only difference lies in the transfer of a call to the headset from the office phone.

Transfer the call to the headset

- Tap the answer/end button to transfer the call from the office phone to the headset via the Jabra Bluetooth Hub.

The answering of a call from the office phone requires a hook lifter in order to have the Jabra BT530 answer the call automatically.

TROUBLESHOOTING & FAQ

I hear crackling noises

- Bluetooth is a radio technology, which means it is sensitive to objects between the headset and the connected device. It is designed for the headset and the connected device to be used within 10 meters (33 feet) of each other, with no major objects in the way (walls, etc.).

I cannot hear anything in my headset

- Increase the volume in the headset.
- Ensure that the headset is paired to a device that is playing.
- Make sure your phone is connected to the headset by tapping the Answer/End button.

I am having pairing problems

- You may have deleted your headset pairing connection in your mobile phone. Follow the pairing instructions.

I want to reset the headset

- It is possible to reset and test the headset by 'pressing and holding' all three buttons at the same time. The red, blue and green light will light up in a white light. In this mode, the pairing list is reset, and you can test if the headset works as you will be able to hear audio in the speaker from the microphone.
- The headset will automatically turn off after approx. 10 seconds. The next time you power on, the headset will go into pairing mode as the first time you powered your new BT530 on.

Will the Jabra BT530 work with other Bluetooth equipment?

- The Jabra BT530 is designed to work with Bluetooth mobile phones. It can also work with other Bluetooth devices that are compliant with Bluetooth version 1.1 or higher and support a headset, hands-free and/or advance audio distribution profile.

I cannot use Reject call, call on hold, Redial or voice dialling

These features are dependent on the ability of your phone to support a hands-free profile. Even if the handsfree profile is implemented reject call, call hold and voice dialling are optional features which are not supported by all devices. Please consult your device manual for details.

Please note that some features can only be operated from the primary device e.g. voice dial using Jabra BT530 with 2 mobile phones.

NEED MORE HELP?

- 1. Web:** www.jabra.com/nasupport
- 2. Phone:** 1 (800) 489-4199 (Canada)

TAKING CARE OF YOUR HEADSET

- Always store the Jabra BT530 with the power off and safely protected
- Avoid storage at extreme temperatures (above 45°C/113°F – including direct sunlight – or below -10°C/14°F). This can shorten battery life and may affect operation. High temperatures may also degrade performance.
- Do not expose the Jabra BT530 to rain or other liquids.

WARNING!

EXCESSIVE VOLUME LEVELS CAN CAUSE PERMANENT HEARING DAMAGE. USE AS LOW A VOLUME AS POSSIBLE.

Permanent hearing loss may result from long-term exposure to sound at high volumes. Headsets are capable of delivering sounds at loud volumes and high pitched tones. Under certain circumstances, exposure to such sounds can result in permanent hearing loss damage. The volume level may vary based on conditions such as the phone you are using, its reception and volume settings, and the environment. Avoid prolonged use of the headset at excessive sound pressure levels. Please read the safety guidelines below prior to using this headset.

You Can Reduce the Risk of Hearing Damage by Following These Safety guidelines

1. Prior to using this product follow these steps:

- Before putting on the headset, turn the volume control to its lowest level,
- Put the headset on, and then
- Slowly adjust the volume control to a comfortable level.

2. During the use of this product:

- Keep the volume at the lowest level possible and avoid using the headset in noisy environments where you may be inclined to turn up the volume;
- If increased volume is necessary, adjust the volume control slowly;
- Ringing in the ears may indicate that the sound levels are too high;
- If you experience discomfort or ringing in your ears, immediately discontinue using the headset and consult a physician; and
- Stop using the headset if it causes great discomfort.

With continued use at high volume, your ears may become accustomed to the sound level, which may result in permanent damage to your hearing without any noticeable discomfort.

SAFETY INFORMATION!

- Use of a headset will impair your ability to hear other sounds. Use caution while using your headset when you are engaging in any activity that requires your full attention.
- If you have a pace maker or other electrical medical devices, you should consult your physician before using this device.
- This package contains small parts that may be hazardous to children and should be kept out of reach from children. The bags themselves or the many small parts they contain may cause choking if ingested.
- Never try to dismantle the product yourself. None of the components can be replaced or repaired by users. Only authorized dealers or service centers may open the product. If any parts of your product require replacement for any reason, including normal wear and tear or breakage, contact your dealer.

- Avoid exposing your product to rain, moisture or other liquids to protect against damage to the product or injury to you.
- If this product has ear tips, the ear tips should rest against, but not enter the ear canal.
- Keep all products, cords and cables away from operating machinery.
- Observe all signs and instructions that require an electrical device or RF radio product to be switched off in designated areas such as hospitals, blasting areas, potentially explosive atmospheres or aircrafts.
- If this product overheats, if the product has been dropped or damaged, if the product has a damaged cord or plug, or if the product has been dropped in a liquid, discontinue use and contact GN Netcom, Inc.
- Never mount or store the product over any air bag deployment area as serious injury may result when an airbag deploys.

Remember: Always drive safely, avoid distractions and follow local laws!

Using the headset while operating a motor vehicle, motorcycle, watercraft or bicycle may be dangerous, and is illegal in some jurisdictions, just as use of this headset with both ears covered while driving is not permitted in certain jurisdictions. Check your local laws. Use caution while using your headset when you are engaging in any activity that requires your full attention. While engaging in any such activity, removing the headset from your ear or turning off your headset will keep you from being distracted, so as to avoid accident or injury. Also, try to keep conversations short and do not take notes or read documents.

BUILT-IN BATTERY CARE:

- Your device is powered by a rechargeable battery.
- The full performance of a new battery is achieved only after two or three complete charge and discharge cycles.
- The battery can be charged and discharged hundreds of times, but will eventually wear out. Recharge your battery only with the provided approved chargers designated for this device.
- Unplug the charger from the electrical plug and the device when not in use. Do not leave a fully charged battery connected to a charger, since overcharging may shorten its lifetime.

- If left unused, a fully charged battery will lose its charge over time.
- Leaving the device in hot or cold places, such as in a closed car in the summer and winter conditions, will reduce the capacity and lifetime of the battery.
- Always try to keep the battery between 15°C and 25°C (59°F and 77°F). A device with a hot or cold battery may not work temporarily, even when the battery is fully charged. Battery performance is particularly limited in temperatures well below freezing.
- Do not dispose of batteries in a fire as they may explode.
- Batteries may also explode if damaged.

Battery warning!

- "Caution" – The battery used in this device may present a risk of fire or chemical burn if mistreated.
- Do not attempt to open the product or replace the battery. It is built-in and not changeable.
- Use of other batteries may present a risk of fire or explosion and the warranty will be terminated.
- Recharge your battery only with the provided approved chargers designated for this device.
- Dispose of batteries according to local regulations. Please recycle when possible. Do not dispose as household waste.
- Always store product out of the reach of children.

CHARGER CARE:

- Do not attempt to charge your headset with anything other than the AC adaptor provided. The use of any other types may damage or destroy the headset and may invalidate any approval or warranty, and may be dangerous. For availability of approved enhancements, please check with your dealer.

Important: The "color" indicator light will be on while charging and will turn off when charging is complete. The headset cannot be used while charging.

Charger warning!

- When you disconnect the power cord or any enhancement, grasp and pull the plug, not the cord, never use a charger that is damaged.

- Do not attempt to disassemble the charger as it may expose you to dangerous electric shock. Incorrect reassembly can cause electric shock or fire when the product is subsequently used.
- Avoid charging your headset in extremely high or low temperatures and do not use the charger outdoors or in damp areas.
- Charge the product according to the instructions supplied with this product.

WARRANTY

Limited One (1) -year Warranty:

GN Netcom, Inc. warrants this product to be free from defects in materials and workmanship (subject to the terms set forth below) for a period of one (1) year from the date of purchase ("Warranty Period"). During the Warranty Period, GN will repair or replace (at GN's discretion) this product or any defective parts ("Warranty Service"). If repair or replacement is not commercially practicable or cannot be timely made, GN may choose to refund to you the purchase price paid for the affected product. Repair or replacement under the terms of this Warranty does not give right to any extension or a new beginning of the period of Warranty.

Claims under the Warranty:

To obtain Warranty Service, please contact the GN dealer from which you purchased this product or visit www.jabra.com for further information about customer support. You will need to return this Product to the dealer or ship it to the dealer or to GN (if so indicated on www.jabra.com) in either its original packaging or packaging affording an equal degree of protection. You will bear the cost of shipping the product to GN. If the Product is covered by the Warranty, GN will bear the cost of shipping the product back to you after the completion of service under this Warranty. Return shipping will be charged to you for not covered by the Warranty or requiring no Warranty repair. The Following information must be presented to obtain Warranty Service: (a) the product, and (b) proof of purchase, which clearly indicates the name and address of the seller, the date of purchase and the product type, which is evidence that this product is within the Warranty Period. Please further include (c) your return address, (d) daytime telephone number, and (e) a detailed reason for return. As part of GN's efforts to reduce environmental waste you understand that the product may consist of reconditioned

equipment that contains used components, some of which have been reworked. The used components all live up to GN's high quality standards and comply with the GN product performance and reliability specifications. You understand that replaced parts or components will become the property of GN.

Limitation of Warranty:

This Warranty is only valid for the original purchaser and will automatically terminate prior to expiration if this product is sold or otherwise transferred to another party. The Warranty provided by GN in this statement applies only to purchased for use, and not for resale. It does not apply to open box purchases, which are sold "as is" and without any Warranty. Specifically exempt from Warranty are limited-life consumable components subject to normal wear and tear, such as microphone windscreens, ear cushions, modular plugs, ear tips, decorative finishes, batteries, and other accessories. This Warranty is invalid if the factory-applied serial number, date code label, or product label has been altered or removed from this product. This Warranty does not cover defects or damages that result from: (a) improper storage, misuse or abuse, accident or neglect, such as physical damage (cracks, scratches, etc.) to the surface of the product resulting from misuse; (b) contact with liquid, water, rain, extreme humidity or heavy perspiration, sand, dirt or the like, extreme heat, or food; (c) use of the or accessories for commercial purposes or subjecting the product or accessories to abnormal usage or conditions; or (d) other acts which are not the fault of GN. This Warranty does not cover damage due to improper operation, maintenance or installation, or attempted repair by anyone other than GN or a GN dealer which is authorized to do GN Warranty work. Any unauthorized repairs will void this Warranty. This Warranty does not cover defects or damages that result from the use of non-GN branded or certified , accessories, or other peripheral equipment. REPAIRS OR REPLACEMENTS AS PROVIDED UNDER THIS WARRANTY ARE THE EXCLUSIVE REMEDY OF THE CONSUMER. GN SHALL NOT BE LIABLE FOR ANY INCIDENTAL OR CONSEQUENTIAL DAMAGES FOR BREACH OF ANY EXPRESS OR IMPLIED WARRANTY ON THIS PRODUCT. EXCEPT TO THE EXTENT PROHIBITED BY LAW, THIS WARRANTY IS EXCLUSIVE AND IN LIEU OF ALL OTHER EXPRESS AND IMPLIED WARRANTIES WHATSOEVER, INCLUDING BUT NOT LIMITED TO THE WARRANTY OF MERCHANTABILITY AND FITNESS FOR A PRACTICAL PURPOSE.

NOTE! This Warranty gives you specific legal rights. You may have other rights which vary from location to location. Some jurisdictions do not allow the exclusion or limitation of incidental or consequential damages or implied warranties, so the above exclusions may not apply to you. This Warranty does not affect your legal (statutory) rights under your applicable national or local laws.

CERTIFICATION AND SAFETY APPROVALS

FCC:

This device complies with part 15 of the FCC Rules. Operation is subject to the following two conditions: (1) This device may not cause harmful interference, and (2) this device must accept any interference received, including interference that may cause undesired operation. Users are not permitted to make changes or modify the device in any way. Changes or modifications not expressly approved by Jabra (GN Netcom, Inc.) will void the user's authority to operate the equipment. See 47 CFR Sec. 15.21. This equipment has been tested and found to comply with the limits for a Class B digital device, pursuant to part 15 of the FCC Rules. These limits are designed to provide reasonable protection against harmful interference in a residential installation. This equipment generates, uses and can radiate radio frequency energy and, if not installed and used in accordance with the instructions, may cause harmful interference to radio communications. However, there is no guarantee that interference will not occur in a particular installation. If this equipment does cause harmful interference to radio or television reception, which can be determined by turning the equipment of and on, the user is encouraged to try to correct the interference by one or more of the following measures:

- Reorient or relocate the receiving antenna.
- Increase the separation between the equipment and receiver.
- Connect the equipment into an outlet on a circuit different from that to which the receiver is connected.
- Consult the dealer or an experienced radio/TV technician for help.

The device and its antenna must not be co-loaded or operating in conjunction with any other antenna or transmitter.

Industry Canada Operation is subject to the following two conditions: (1) This device may not cause interference and (2) This device must accept any interference, including interference that may cause undesired operation of the device. See RSS-GEN 7.1.5. The term "IC:" before the certification/registration number only signifies that registration was performed based on a Declaration of Conformity indicating that Industry Canada technical specifications were met. It does not imply that Industry Canada approved the equipment.

CE:

This product is CE marked according to the provisions of the R & TTE Directive (99/5/EC). Hereby, GN Netcom A/S, declares that this product is in compliance with the essential requirements and other relevant provisions of Directive 1999/5/EC. For further information please consult <http://www.jabra.com>

Bluetooth:

The Bluetooth® word mark and logos are owned by the Bluetooth SIG, Inc. and any use of such marks by Jabra is under license. Other trademarks and trade names are those of their respective owners.

GLOSSARY

- 1. Bluetooth** is a radio technology that connects devices, such as mobile phones and headsets, without wires or cords over a short distance approx. 33 feet (10 meters). Get more information at www.bluetooth.com
- 2. Bluetooth profiles** are the different ways that Bluetooth devices communicate with other devices. Bluetooth phones support either the headset profile, the hands-free profile or both. In order to support a certain profile, a phone manufacturer must implement certain mandatory features within the phone's software.

- 3. Pairing** creates a unique and encrypted link between two Bluetooth devices and lets them communicate with each other. Bluetooth devices will not work if the devices have not been paired.
- 4. Passkey or PIN** is a code that you enter on your mobile phone to pair it with your Jabra BT530. This makes your phone and the Jabra BT530 recognize each other and automatically work together.
- 5. Standby mode** is when the Jabra BT530 is passively waiting for a call. When you 'end' a call on your mobile phone, the headset goes into standby mode.



Dispose of the product according to local standards and regulations.

www.jabra.com/weee

ESPAÑOL

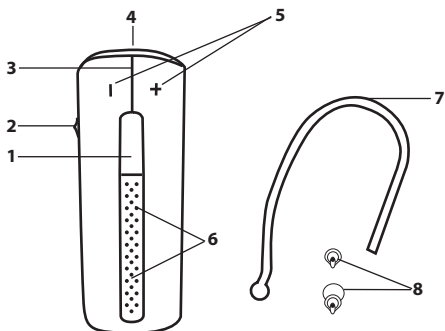
GRACIAS.....	2
ACERCA DEL JABRA BT530	2
FUNCIONES DEL AURICULAR.....	3
INTRODUCCIÓN.....	4
CARGUE SUS AURICULARES.....	4
ENCENDER Y APAGAR EL AURICULAR	5
SINCRONIZAR CON SU TELÉFONO.....	5
CÓMO LLEVARLO	6
CÓMO	6
¿QUÉ SIGNIFICAN LAS LUCES?	8
ESCUCHAR MÚSICA CON EL JABRA BT530.....	9
USAR EL BT530 CON DOS TELÉFONOS MÓVILES.....	9
USAR EL HUB JABRA BLUETOOTH.....	9
SOLUCIÓN DE PROBLEMAS Y PREGUNTAS MÁS FRECUENTES	10
¿NECESITA MÁS AYUDA?	11
CUIDADO DEL AURICULAR.....	11
¡AVISO!.....	12
INFORMACIÓN SOBRE SEGURIDAD.....	13
MANTENIMIENTO DE LA BATERÍA:.....	14
MANTENIMIENTO DEL CARGADOR:	15
GARANTÍA	16
CERTIFICACIÓN Y CUMPLIMIENTO DE LAS NORMAS DE SEGURIDAD.....	18
GLOSARIO	19

GRACIAS

Gracias por adquirir el auricular Jabra BT530 Bluetooth®. Esperamos que lo disfrute. Este manual de instrucciones le ayudará a utilizar y a lograr el máximo rendimiento de su auricular.

ACERCA DEL JABRA BT530

- 1 Botón responder/finalizar**
- 2 Botón encender/apagar**
- 3 Luz LED**
- 4 Enchufe de carga**
- 5 Subir volumen/bajar volumen**
- 6 Micrófono**
- 7 Gancho para la oreja**
- 8 Almohadillas de gel para la oreja**



FUNCIONES DEL AURICULAR

Su Jabra BT530 le permite realizar las siguientes funciones:

- Responder llamadas
- Finalizar llamadas
- Rechazar llamadas*
- Marcación por voz*
- Volver a marcar el último número*
- Llamada en espera*
- Poner una llamada en espera*
- Silenciar
- Multipunto: estar conectado al mismo tiempo a dos dispositivos Bluetooth
- Reproducir música*

Especificaciones

- Tiempo de conversación de hasta 5½ horas / tiempo en espera (standby) de hasta 250 horas
- Batería recargable con opción de carga a través de fuente de alimentación de CA, ordenador por cable USB o cargador de automóvil (no incluido)
- Luz multicolor para estado e indicador de batería
- Modo silencioso: la luz se apaga tras un minuto
- Tamaño: L 48 mm x A 18 mm x D 12,5 mm
- Peso: 10 gramos
- Solución de micrófono dual para Noise Blackout™
- Mejora del sonido mediante tecnología DSP
- Reducción de ruidos en el transmisor y receptor de audio
- Control del volumen en función del ruido*
- Ajuste del volumen automático en receptor de audio
- Protección ante agresiones acústicas
- Cualificado para Especificación Bluetooth versión 2,0 + EDR (índice de datos mejorado), compatible con Perfiles Manos Libres y Auriculares para conversaciones telefónicas y Perfil de distribución de audio avanzado (A2DP) para reproducir música
- e-SCO para una mejor calidad del audio
- Cifrado de 128 bits
- Distancia de funcionamiento de hasta 10 metros (unos 33 pies)

INTRODUCCIÓN

Debe seguir tres pasos antes de utilizar sus auriculares

1. Cargue sus auriculares

2. Active el Bluetooth de su teléfono móvil (consulte el manual de usuario de su teléfono móvil)

3. Sincronice el auricular con su teléfono móvil

El Jabra BT530 se maneja fácilmente. El botón responder/finalizar del auricular lleva a cabo distintas funciones dependiendo de la duración de la pulsación.

Instrucción	Duración de la pulsación
Pulsar brevemente	Pulsar brevemente
Presionar dos veces	Dos toques repetidos rápidamente
Pulsar	Aprox. 1 segundo
Mantener pulsado	Aprox. 5 segundo

CARGUE SUS AURICULARES

Asegúrese de que su auricular está totalmente cargado antes de ponerlo en servicio (tarda unas 2 horas). Utilice la fuente de alimentación de CA para cargarlo. Cuando la luz del indicador luminoso (LED) está fija, el auricular se está cargando. El LED se ilumina de color rojo cuando el auricular está completamente cargado.

Use solo el cargador incluido en la caja – no use cargadores de otros dispositivos. Puede dañar el auricular.

Lo que ve	Nivel de carga
Luz roja fija	Menos del 70%
Luz amarilla fija	Entre el 70% y cargado totalmente
Luz verde fija	Carga completa

Recuerde: la vida útil de la batería se ve reducida significativamente si deja su dispositivo sin cargar durante un largo período de tiempo. Le recomendamos que recargue su dispositivo al menos una vez al mes.

ENCENDER Y APAGAR EL AURICULAR

- Deslice hacia delante el botón encender/apagar del lateral del auricular para encenderlo. El LED parpadeará en color verde durante un segundo cuando el auricular esté encendido.
- Deslice hacia atrás el botón encender/apagar para apagar el auricular.

SINCRONIZAR CON SU TELÉFONO

El auricular se conecta al teléfono por medio de un procedimiento llamado "sincronización". Un teléfono se puede sincronizar con el auricular en unos minutos mediante unos sencillos pasos.

1. Ponga el auricular en modo de sincronización

- Cuando encienda su Jabra BT530 por primera vez, el auricular se pondrá automáticamente en modo de sincronización, es decir, su teléfono lo puede descubrir. Cuando el auricular esté en modo de emparejamiento, el LED está encendido constantemente.

2. Ajuste su teléfono compatible con Bluetooth para que "descubra" el Jabra BT530

- Siga las instrucciones de su teléfono. Asegúrese en primer lugar de que Bluetooth de su teléfono está activado. Después configure su teléfono para descubrir el auricular. Generalmente debe abrir el menú "configuración", "conectar" o "Bluetooth" de su teléfono y seleccionar la opción para "descubrir" o "agregar" un dispositivo Bluetooth.*

3. Su teléfono encontrará el Jabra BT530

- Su teléfono encontrará el auricular bajo el nombre "Jabra BT530". Su teléfono le preguntará si desea sincronizarlo con el auricular. Para aceptar pulse "Yes" (sí) u "OK" en el teléfono y confírmelo con la clave de acceso o PIN = 0000 (4 ceros) Su teléfono confirmará que ha concluido la sincronización.



En caso de sincronización fallida, configure el Jabra BT530 en modo de sincronización manual. Asegúrese de que el auricular esté encendido. Presione y mantenga pulsado el botón responder/finalizar durante aproximadamente 5 segundos hasta que el LED tenga una luz azul continua. Mantenga la presión hasta que la luz del botón se quede fija.

CÓMO LLEVARLO

El Jabra BT530 está listo para usar y puede utilizarse con o sin el gancho para la oreja. Se puede quitar el gancho para la oreja y utilizar el auricular con las almohadillas de gel Ultimate Comfort. Las almohadillas de gel Ultimate Comfort pueden usarse tanto con la oreja izquierda como con la derecha. El BT530 dispone de una almohadilla de gel de tamaño medio que puede sustituirse por una pequeña o una grande. También puede torcer ligeramente la almohadilla de gel para llevarla con mayor comodidad. Para un funcionamiento óptimo, lleve el Jabra BT530 y su teléfono móvil en el mismo lado de su cuerpo o procurando que haya una línea recta entre ambos. En general obtendrá un mejor rendimiento cuando no haya obstáculos entre su auricular y su teléfono móvil.

CÓMO

Responder a una llamada

- Pulse brevemente el botón contestar/finalizar llamada de su auricular para responder una llamada.

Finalizar una llamada

- Toque el botón responder / fin para finalizar una llamada activa.

Rechazar una llamada*

- Para rechazar una llamada entrante, pulse el botón responder/finalizar cuando suene el teléfono. Dependiendo de la configuración de su teléfono, la persona que ha llamado será desviada a su buzón de voz o bien escuchará una señal de ocupado.

Hacer una llamada

- Al hacer una llamada desde su teléfono móvil, la llamada se transferirá automáticamente (dependiendo de la configuración del teléfono) al auricular. Si su teléfono no permite realizar esta función, pulse brevemente el botón responder/finalizar del Jabra BT530 para transferir la llamada al auricular.

Activar la marcación por voz*

- Pulse el botón responder/finalizar. Para obtener mejores resultados, grabe la marcación por voz con sus auriculares. Consulte el manual del usuario de su teléfono para obtener más información sobre el uso de esta característica.

Volver a marcar el último número marcado*

- Dé un doble toque al botón responder/finalizar con el auricular encendido y fuera de uso.

Ajuste del sonido y el volumen*

- Pulse brevemente subir o bajar volumen para ajustarlo.

Activar/desactivar el modo silencio

- Para silenciar, pulse ambos botones al mismo tiempo. Un pequeño bip suena si llega una llamada en modo silenciar.
- Para desactivar esta función, pulse brevemente cualquiera de los botones de volumen.

Llamada en espera y dejar una llamada en espera*

- Esto le permite poner una llamada en espera durante una conversación y contestar una llamada que está esperando.
- Pulse el botón responder/finalizar una vez para poner en espera la llamada activa y responder a la llamada que está esperando.
- Pulse el botón responder/finalizar para cambiar entre las dos llamadas.
- Toque el botón responder/finalizar para finalizar la llamada activa.

Indicador de batería

- Pulse uno de los botones de volumen para ver el nivel de la batería.

Lo que ve	Nivel de batería / tiempo de conversación
2 destellos verdes	Entre 1 y 5½ horas de tiempo de conversación
2 destellos amarillos	10 min.-1 hora
2 destellos rojos	10 min.

¿QUÉ SIGNIFICAN LAS LUCES?

Lo que ve	Nivel de batería / tiempo de conversación
Destellos azules y verdes	Llamada entrante
Azul intermitente	Parpadeo cada tres segundos: en modo de espera y conectado a un teléfono móvil (únicamente durante un minuto y luego se apaga)
Luz verde parpadeante	Parpadeo cada tres segundos: en modo de espera – no conectado (únicamente durante un minuto y luego se apaga)
Azul intermitente	Parpadeo cada segundo: llamada activa (solo 30 segundos, luego se apaga)
Luz roja parpadeante	Batería baja
Luz púrpura parpadeante	Parpadea cada segundo: conectado en A2DP para transmisión de música (únicamente durante 30 segundos y luego se apaga)
Azul fija	En modo de sincronización
Luz púrpura fija	Modo especial de sincronización para música Consulte el capítulo Solución de problemas y preguntas frecuentes
Verde fija	Carga completa
Luz amarilla fija	Nivel de carga entre el 70% y carga completa
Luz roja continua	Nivel de carga inferior al 70%

ESCUCHAR MÚSICA CON EL JABRA BT530

El Jabra BT530 puede transmitir música a través de Bluetooth - ya sea desde un teléfono móvil o cualquier otro dispositivo Bluetooth compatible con A2DP. Una vez que haya sincronizado su auricular BT530 con su teléfono móvil o con un reproductor de música Bluetooth, utilice su teléfono o su reproductor de música para reproducir, poner en pausa, detener y saltar pistas hacia adelante y hacia atrás. Al recibir una llamada se suspenderá automáticamente la música para que usted pueda responder o rechazarla a través del auricular. Al finalizar la llamada, la música se empieza a oír de nuevo. En algunos teléfonos o dispositivos de música debe pulsar "play" para volver a escuchar la música.

USAR EL BT530 CON DOS TELÉFONOS MÓVILES

Jabra BT530 puede conectarse a dos teléfonos móviles (o a dispositivos Bluetooth) al mismo tiempo. Así necesitará únicamente un auricular para manejar ambos teléfonos móviles. Tenga en cuenta que con la función de Rellamada se marcará el número de la última llamada saliente de cualquiera de los dos teléfonos, y la función Marcación por voz solo funcionará con el último teléfono sincronizado.

USAR EL HUB JABRA BLUETOOTH

El Jabra BT530 se puede utilizar con el hub Jabra Bluetooth (que se vende por separado). De este modo, podrá utilizar sus auriculares tanto con su teléfono móvil como con el teléfono de su oficina.

Para sincronizar el Jabra BT530 con el hub Jabra Bluetooth

El proceso de sincronización es ligeramente distinto:

1. Ponga el Jabra BT530 en modo de sincronización.
2. Ponga el hub Jabra Bluetooth en modo de sincronización.
3. Acérquelos entre sí. No se necesita un código PIN para sincronizar estos dos productos de Jabra.

Para más información sobre cómo conectar el hub Jabra Bluetooth con el teléfono de su oficina, consulte el manual de usuario de este último. El uso del Jabra BT530 con el hub Jabra Bluetooth es muy similar al uso del auricular con un único teléfono móvil. La única diferencia reside en la transferencia de una llamada desde el teléfono fijo a los auriculares.

Transferir la llamada a los auriculares

- Para transferir la llamada del teléfono fijo al auricular a través del hub Jabra Bluetooth, dé un toque breve al botón Responder/ finalizar.

Para responder una llamada desde el teléfono fijo se necesita un descolgador para que el Jabra BT530 pueda contestar automáticamente la llamada.

SOLUCIÓN DE PROBLEMAS Y PREGUNTAS MÁS FRECUENTES

Oigo interferencias

- Bluetooth es una tecnología de radio, lo que significa que es sensible a los objetos situados entre los auriculares y el dispositivo conectado. Esta tecnología ha sido diseñada para que la distancia máxima entre el auricular y el dispositivo conectado sea de 33 pies (10 metros), sin objetos importantes en medio (paredes, etc.).

No oigo nada en el auricular

- Aumente el volumen de los auriculares
- Compruebe que el auricular está sincronizado con el dispositivo correspondiente
- Compruebe que su teléfono esté conectado al auricular dando un toque al botón responder/finalizar.

Tengo problemas de sincronización

- Puede que haya eliminado la conexión de sincronización de su auricular en su teléfono móvil. Siga las instrucciones de sincronización.

Quiero ajustar de nuevo el auricular

- Para reajustar y probar el auricular mantenga presionados los tres botones al mismo tiempo. Se encenderán las luces roja, azul y verde para formar una luz blanca. En este modo se restablece la lista de sincronización y puede comprobar si el auricular funciona, ya que podrá escuchar el sonido procedente del micrófono en el altavoz.
- El auricular se apagará automáticamente en unos diez segundos. La próxima vez que encienda el auricular, éste se pondrá en modo de sincronización, como la primera vez que lo encendió.

¿El Jabra BT530 funciona con otros equipos Bluetooth?

- El Jabra BT530 está diseñado para utilizarse con teléfonos móviles Bluetooth. También puede funcionar con otros dispositivos Bluetooth compatibles con la versión 1.1, o superiores de Bluetooth y con el perfil de auricular, de manos libres y de distribución de audio avanzado.

No puedo usar Rechazar llamadas, Llamada en espera, Volver a marcar o Marcación por voz

Estas características dependen de si su teléfono soporta el perfil de manos libres. Incluso si soporta este perfil, rechazar llamadas, llamada en espera y marcación por voz son características opcionales que no son compatibles con todos los dispositivos. Para obtener más información consulte el manual de su dispositivo.

Tenga en cuenta que algunas funciones solo se controlan desde el dispositivo primario, por ejemplo, marcación por voz utilizando el auricular Jabra BT530 con dos teléfonos móviles.

¿NECESITA MÁS AYUDA?

- 1. Sitio web:** www.jabra.com/nasupport
- 2. Teléfono:** 1 (800) 489-4199 (Canada)

CUIDADO DEL AURICULAR

- Guarde siempre los auriculares Jabra BT530 apagados y con protección de seguridad.
- Evite su exposición a temperaturas extremas (por encima de 45°/113°F –incluida la luz solar directa- o por debajo de –10°/14°F). Esto podría acortar la vida útil de la batería y podría afectar a su funcionamiento. Las altas temperaturas también podrían afectar al rendimiento del dispositivo.
- No esponga el Jabra BT530 a la lluvia ni a otros líquidos.

¡AVISO!

UN VOLUMEN EXCESIVO PODRÍA CAUSAR DAÑOS AUDITIVOS PERMANENTES. USE EL VOLUMEN MÁS BAJO POSIBLE.

Se puede producir una pérdida auditiva permanente como resultado de una exposición prolongada a sonido a volumen elevado. Los auriculares pueden reproducir sonidos a altos niveles y tonos de alta intensidad. En circunstancias determinadas, la exposición a este tipo de sonidos puede causar pérdidas auditivas irreversibles. El nivel del volumen puede variar dependiendo de condiciones como el teléfono que esté usando, el entorno y la configuración de la recepción y del volumen. Evite un uso prolongado del auricular a un volumen excesivo. Lea las instrucciones de seguridad siguientes antes de usar este auricular.

Puede reducir el riesgo de pérdida auditiva siguiendo los consejos de seguridad siguientes

1. Antes de usar este producto, realice los pasos siguientes:

- Baje el volumen al mínimo, antes de colocarse el auricular,
- Póngase el auricular y luego
- Ajuste el volumen lentamente hasta un nivel adecuado.

2. Cuando use este producto:

- Mantenga el volumen lo más bajo posible y evite el uso de los auriculares en entornos ruidosos donde se vea obligado a subir el volumen;
- Si fuera necesario subir el volumen, ajuste el control del volumen lentamente;
- Pitidos en los oídos pueden ser indicativos de que el nivel de sonido es demasiado elevado;
- Si nota alguna molestia o pitidos en los oídos, deje de usar los auriculares inmediatamente y consulte a su médico.
- Seje de utilizar el auricular si le causa molestias.

El uso continuado del dispositivo a niveles altos puede provocar que sus oídos se acostumbren al nivel de sonido, lo que puede causar daños auditivos irreversibles sin darse cuenta.

INFORMACIÓN SOBRE SEGURIDAD

- El uso de auriculares le impedirá oír otros sonidos. Tenga cuidado mientras use los auriculares si debe realizar alguna actividad que requiera atención total.
- Si tiene un marcapasos u otro dispositivo médico, consulte a su médico antes de utilizar este dispositivo.
- Este paquete contiene piezas pequeñas que pueden ser peligrosas para los niños. Manténgalo fuera de su alcance. Las propias bolsas o las numerosas piezas pequeñas que contienen podrían provocar asfixia si se ingiriesen.
- No trate de desmontar el producto usted mismo. Los usuarios no pueden reemplazar ni reparar ninguno de los componentes. Sólo los distribuidores o los centros de servicio autorizados pueden abrir el producto. Si por alguna razón hubiese que cambiar alguna pieza de su producto, ya sea por desgaste normal, o rotura, póngase en contacto con su distribuidor.
- No exponga el producto a la lluvia, la humedad ni a otros líquidos para protegerlo y evitar lesiones.
- Si este producto dispone de auriculares, éstos deben reposar sobre el oído pero no introducirse en él.
- Guarde los aparatos, cordones y cables alejados de maquinaria en funcionamiento.
- Tenga en cuenta todas las señales e instrucciones que requieran apagar un dispositivo eléctrico o producto de radio de RF en zonas concretas como hospitales, zonas de voladuras y entornos potencialmente explosivos o aviones.
- Si el producto se sobrecalienta, se ha caído o está dañado, si el cordón o el enchufe están dañados o si se ha sumergido en un líquido, deje de usarlo y póngase en contacto con GN Netcom, Inc.
- Nunca instale o almacene el producto sobre zonas de despliegue del airbag, dado que puede dar lugar a lesiones graves al desplegarse el airbag.

Recuerde: conduzca de forma segura, evite las distracciones y cumpla la legislación local!

Usar los auriculares mientras conduce un vehículo motorizado, una motocicleta, una moto de agua o una bicicleta podría ser peligroso. Además es ilegal en algunos países. En algunos países está prohibido utilizar ambos auriculares a la vez durante la conducción. Consulte la legislación local. Tenga cuidado mientras use los auriculares si

debe realizar alguna actividad que requiera atención total. Mientras la esté realizando, retire el auricular de la oreja o desconéctelo para evitar distracciones y los consiguientes accidentes o daños. Limite al máximo la duración de las conversaciones. No tome notas ni lea documentos mientras conduce.

MANTENIMIENTO DE LA BATERÍA:

- Su dispositivo utiliza una batería recargable.
- El pleno rendimiento de una nueva batería únicamente se logra después de dos o tres ciclos completos de carga y descarga.
- Se puede cargar y descargar la batería cientos de veces, pero siempre se gastará al final. Recargue su batería únicamente con los cargadores aprobados proporcionados para este dispositivo.
- Desconecte el cargador del enchufe y del dispositivo cuando no estén en uso. No deje una batería completamente cargada en un cargador, dado que la sobrecarga puede reducir su duración.
- Si se deja sin utilizar, una batería totalmente cargada perderá la carga a lo largo del tiempo.
- Si deja el dispositivo en lugares cálidos o fríos, como en un coche cerrado durante el verano o en invierno, se reducirá la capacidad y la duración de la batería.
- Intente siempre mantener la batería entre 15°C y 25°C (59°F y 77°F). Un dispositivo con una batería caliente o fría puede que no funcione temporalmente, incluso cuando la batería está totalmente cargada. El rendimiento de la batería está limitado particularmente en temperaturas por debajo de cero grados.
- No deseche las baterías en el fuego ya que podrían explotar.
- Las baterías podrían explotar igualmente si están dañadas.

Advertencias sobre la batería

- "Precaución" – la batería que usa este dispositivo puede inflamarse o producir una quemadura química si no se manipula adecuadamente.
- No intente abrir el producto ni sustituir la batería. La batería está incorporada al dispositivo y no se puede cambiar.

- El uso de otras baterías constituye un riesgo de fuego o de explosión y la finalización de la garantía.
- Recargue su batería únicamente con los cargadores aprobados proporcionados para este dispositivo.
- Deshágase de las baterías de acuerdo con las disposiciones locales. Recicle cuando sea posible. No las tire con la basura doméstica.
- Guarde siempre el producto fuera del alcance de los niños.

MANTENIMIENTO DEL CARGADOR:

- No intente cargar el auricular con otro cargador que no sea el adaptador de CA proporcionado. El uso de cualquier otro adaptador podría dañar o destruir el auricular y anular cualquier aprobación o garantía y además podría resultar peligroso. Para consultar la disponibilidad de accesorios aprobados, consulte con su proveedor.

Importante: La luz indicadora de "color" estará encendida mientras se esté cargando y se apagará cuando se haya completado la carga. El auricular no se puede utilizar mientras se está cargando.

Advertencias sobre el cargador

- Cuando desconecte el cable de alimentación o cualquier otro accesorio, sujete y tire del enchufe, no del cable. No use nunca un cargador dañado.
- No desmonte el cargador, ya que puede exponerle a tensiones peligrosas. Un montaje incorrecto puede causar sacudidas eléctricas o un incendio cuando se usan posteriormente los auriculares.
- Evite cargar el auricular a temperaturas extremas, tanto altas como bajas, y no use el cargador al aire libre o en zonas mojadas.
- Cargue el producto según las instrucciones que acompañan al mismo.

GARANTÍA

Garantía limitada de un año:

GN Netcom, Inc. garantiza que este producto está libre de defectos de material y mano de obra (en las condiciones que figuran a continuación) durante un período de un (1) año a partir de su fecha de compra ("Período de garantía"). Durante el período de garantía, GN reparará o sustituirá (según considere oportuno) este producto o cualquier pieza defectuosa ("Servicio de garantía"). Si la reparación o sustitución no fuera comercialmente viable o no se pudiera realizar a tiempo, GN podrá elegir reembolsar la cuantía de la compra abonada por el producto afectado. La reparación o sustitución de acuerdo con los términos de esta garantía no otorga ningún derecho a una extensión o a un nuevo comienzo del período de la garantía.

Reclamaciones durante el periodo de garantía:

Para hacer uso del Servicio de garantía póngase en contacto con el distribuidor GN en el que haya adquirido este producto o visite www.jabra.com para obtener más información sobre atención al cliente. Deberá devolver o enviar este producto al distribuidor o a GN (si así se indica en www.jabra.com) ya sea en su embalaje original o en un embalaje que ofrezca la misma protección. Los gastos de envío del producto a GN correrán por su cuenta. Si el producto está cubierto por la garantía, GN devolverá el importe de los gastos de envío del producto al usuario después de haber realizado el servicio según esta garantía. Los gastos de devolución de productos no cubiertos por la garantía, o que requieran una reparación no cubierta por la garantía, correrán por su cuenta. Para hacer uso del Servicio de garantía deberá presentar la siguiente información: (a) el producto y (b) justificante de compra, que indique claramente el nombre y dirección del vendedor, la fecha de compra y el tipo de producto, que demuestren que este producto se encuentra dentro del período de garantía. Indique igualmente (c) la dirección a la que debe devolverse el producto, (d) el número de teléfono durante el día y (e) los motivos de devolución. Como parte de los esfuerzos de GN para reducir el daño medioambiental, por el presente documento acepta que el producto puede contener equipos reacondicionados con componentes usados, algunos de ellos adaptados. Los componentes utilizados cumplen los principios de alta calidad de GN y cumplen con las especificaciones de fiabilidad y rendimiento de producto de GN. Por el presente documento, acepta que las piezas o componentes sustituidas pasarán a ser propiedad de GN.

Limitación de garantía:

Esta garantía sólo será válida para el comprador original y se anulará automáticamente si el producto es vendido o cedido de otra manera a un tercero antes de su fecha de expiración. La garantía proporcionada por GN en este documento es válida únicamente para los productos adquiridos para su uso y no para reventa. No es válida para las compras de productos desprecintados, que se compran "tal cual" y sin ningún tipo de garantía. Quedan excluidos expresamente de la garantía los consumibles de vida limitada sujetos a un desgaste normal, como las pantallas de micrófonos, las almohadillas para la oreja, los enchufes modulares, las fundas de auriculares, los acabados decorativos, las baterías y otros accesorios. Esta garantía será nula si el número de serie, etiqueta de código de fecha o etiqueta del producto aplicados en la fábrica son modificados o retirados de este producto. Esta Garantía no cubre los defectos o daños producidos por: (a) almacenamiento inadecuado, uso incorrecto, accidente o negligencia, que dañen físicamente (grietas, arañazos, etc.) la superficie del producto como resultado del uso incorrecto; (b) contacto con líquidos, agua, lluvia, humedad extrema o sudoración excesiva, arena, polvo o suciedad, calor extremo o alimentos; (c) el uso comercial de los productos o accesorios o someter los productos o accesorios a uso o condiciones incorrectos; o (d) otros actos no imputables a GN. Esta garantía no cubre los daños provocados por una operación, mantenimiento o instalación inadecuados o el intento de reparación por cualquiera distinto a GN o un distribuidor de GN autorizado para realizar el trabajo de garantía de GN. Todas las reparaciones no autorizadas anularán esta Garantía. Esta Garantía no cubre los defectos o daños que produzcan el uso de productos, accesorios o equipos periféricos que no sean de la marca GN o no estén certificados por GN.

LAS REPARACIONES O SUSTITUCIONES CONTEMPLADAS EN ESTA GARANTÍA SERÁN EL ÚNICO REMEDIO QUE RECIBA EL CONSUMIDOR. GN NO SERÁ RESPONSABLE DE NINGÚN DAÑO INCIDENTAL NI DERIVADO DEL INCUMPLIMIENTO EXPRESO O IMPLÍCITO DE LA GARANTÍA DE ESTE PRODUCTO. A MENOS QUE LO PROHÍBA LA LEY, ESTA GARANTÍA ES EXCLUSIVA Y SUSTITUYE TODAS LAS DEMÁS GARANTÍAS EXPLÍCITAS E IMPLÍCITAS DE CUALQUIER NATURALEZA, INCLUYENDO LA GARANTÍA DE COMERCIALIZACIÓN Y DE APTITUD PARA UN FIN DETERMINADO.

NOTA: Esta garantía le proporciona derechos legales específicos. Es posible que usted goce de otros derechos dependiendo del país en el que viva. Algunos países no permiten la exclusión o limitación de los daños accidentales o resultantes o garantías implícitas, por lo que las exclusiones antes mencionadas no serían aplicables en su caso. Esta garantía no afecta a sus derechos legales de acuerdo con la legislación nacional o local de su país.

CERTIFICACIÓN Y CUMPLIMIENTO DE LAS NORMAS DE SEGURIDAD

FCC:

Este dispositivo cumple el artículo 15 del Reglamento FCC. El uso del equipo está sujeto a las dos condiciones siguientes: (1) este aparato no debe provocar interferencias perjudiciales y (2) este aparato debe aceptar cualquier interferencia recibida, incluidas las interferencias que puedan provocar un mal funcionamiento del mismo. Los usuarios no pueden cambiar o modificar el aparato de modo alguno. Toda modificación realizada sin la aprobación expresa por parte de Jabra (GN Netcom, Inc.) anulará la autorización de uso del equipo. Consulte 47 CFR Sec. 15.21. Este equipo ha sido sometido a pruebas y cumple con los límites establecidos para equipos digitales de clase B conforme al apartado 15 de las normas FCC. Dichos límites ofrecen una protección razonable contra las interferencias perjudiciales en una instalación doméstica. Este equipo genera, utiliza y puede irradiar energía de radiofrecuencia y, si no se instala y utiliza del modo indicado en las instrucciones, puede provocar interferencias perjudiciales para las comunicaciones de radio. No se garantiza que no pueda producir interferencias en una instalación particular. Si este equipo provoca interferencias perjudiciales para la recepción de señales de radio o televisión, lo cual podrá determinarse apagando y encendiendo el equipo, se recomienda al usuario que utilice los siguientes métodos para eliminar las interferencias:

- Reorientar la antena receptora o cambiarla de posición.
- Aumentar la distancia entre el equipo y el receptor.
- Conectar el equipo a un enchufe perteneciente a un circuito distinto al que está conectado el receptor.
- Solicitar ayuda al distribuidor o a un técnico especialista en radio y TV.

El dispositivo y su antena no deben tener la misma carga ni operar conjuntamente con otras antenas o transmisores.

Industry Canada El uso del equipo está sujeto a las dos condiciones siguientes: (1) este aparato no debe provocar interferencias y (2) este aparato debe aceptar cualquier interferencia, incluidas las interferencias que puedan provocar un mal funcionamiento del mismo. Consulte RSS-GEN 7.1.5. El término "IC:" que hay antes del número de certificado/registro, indica exclusivamente que el registro se realizó de acuerdo a la declaración de conformidad, que indica que se cumplen las especificaciones técnicas de Industry Canada. Esto no implica la aprobación del producto por parte de Industry Canada.

CE:

Este producto cuenta con la marca CE de acuerdo con la directiva de R & TTE (99/5/EC) Por la presente, GN Netcom A/S declara que este producto cumple los requisitos esenciales y las disposiciones relevantes de la Directiva 1999/5/CE. Para obtener más información, consulte <http://www.jabra.com>

Bluetooth:

La marca denominativa y el logotipo Bluetooth® son propiedad de Bluetooth SIG, Inc. y Jabra utiliza dichas marcas bajo licencia. Las demás marcas y nombres comerciales son propiedad de sus titulares respectivos.

GLOSARIO

- 1. Bluetooth** es una tecnología de radio que conecta dispositivos como teléfonos móviles y auriculares sin usar cables y a una distancia corta. (aproximadamente 10 metros). Encontrará más información en www.bluetooth.com
- 2. Los perfiles Bluetooth** son las diferentes maneras en las que los dispositivos Bluetooth se comunican con otros dispositivos. Los teléfonos móviles Bluetooth admiten los perfiles de auricular, de manos libres o ambos. Para admitir un perfil determinado, un fabricante de teléfonos debe implementar determinadas características obligatorias en el software del teléfono.

3. **La sincronización** crea un enlace exclusivo y cifrado entre dos dispositivos Bluetooth que permite la comunicación entre ellos. Los dispositivos Bluetooth no funcionan entre ellos si no han sido sincronizados previamente.
4. **La contraseña o PIN** es un código que se introduce en el teléfono móvil para sincronizarlo con el Jabra BT530. De este modo, el teléfono y el Jabra BT530 se reconocen entre ellos y funcionan conjuntamente de modo automático.
5. **El modo en espera** es aquel en el cual el Jabra BT530 espera pasivamente una llamada. Cuando usted 'finaliza' una llamada en su teléfono móvil, el auricular pasa a modo de espera.



Elimine el producto de acuerdo con las normas y disposiciones de su país.

www.jabra.com/weee

FRANÇAIS

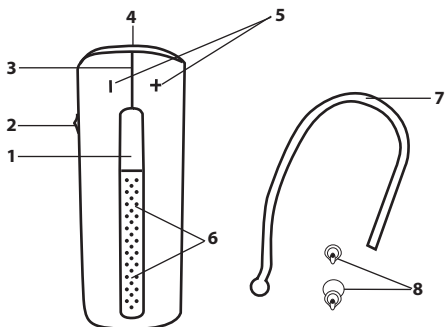
MERCI	2
À PROPOS DE VOTRE JABRA BT530.....	2
FONCTIONS POSSIBLE DE VOTRE OREILLETTE.....	3
MISE EN ROUTE	4
CHARGER VOTRE OREILLETTE.....	4
MISE EN MARCHÉ ET ARRÊT DE L'OREILLETTE	5
APPAIRAGE AVEC VOTRE TÉLÉPHONE	5
STYLE DE PORT	6
COMMENT.....	6
EXPLICATION DES VOYANTS LUMINEUX.....	8
ÉCOUTER DE LA MUSIQUE AVEC LA JABRA BT530	9
UTILISATION DE LA BT530 AVEC DEUX TÉLÉPHONES PORTABLES	9
UTILISATION D'UN HUB BLUETOOTH JABRA.....	9
DIAGNOSTIC DES PANNES ET QUESTIONS FRÉQUENTES.....	10
BESOIN D'AIDE SUPPLÉMENTAIRE ?	11
ENTRETIEN DE VOTRE OREILLETTE	11
AVERTISSEMENT !.....	12
INFORMATION SUR LA SÉCURITÉ !.....	13
ENTRETIEN DE LA BATTERIE INTÉGRÉE :	14
ENTRETIEN DU CHARGEUR :.....	15
GARANTIE	16
CERTIFICATION ET AGRÉMENTS AUX FINS DE LA SÉCURITÉ....	18
GLOSSAIRE.....	19

MERCI

Nous vous remercions d'avoir acheté l'oreillette Bluetooth® Jabra BT530. Nous espérons que vous en serez satisfait. Ce mode d'emploi vous permettra d'utiliser et de tirer le meilleur parti de votre oreillette.

À PROPOS DE VOTRE JABRA BT530

- 1 Touche Réponse/Fin**
- 2 Touche marche/arrêt**
- 3 Voyant lumineux**
- 4 Prise de charge**
- 5 Volume sonore haut/bas**
- 6 Microphones**
- 7 Crochet d'oreille**
- 8 Gels d'oreille**



FONCTIONS POSSIBLE DE VOTRE OREILLETTE

L'oreillette Jabra BT530 vous permet de :

- Répondre aux appels
- Terminer les appels
- Rejeter des appels*
- Lancer une numérotation vocale*
- Rappeler le dernier numéro*
- Utiliser la fonction de double appel*
- Mettre un appel en attente*
- Passer en mode Secret
- Multi-points : pour être connectée à deux appareils Bluetooth en même temps
- Écouter de la musique*

Spécifications

- Jusqu'à 5h30 de temps de communication/250 h en mode veille
- Batterie rechargeable compatible avec tout chargeur d'alimentation en courant alternatif, PC via USB ou chargeur voiture (non fourni)
- Voyant à plusieurs couleurs pour l'indicateur d'état et de batterie
- Mode veille : désactive la lumière après une minute
- Dimensions : L 48 mm x l 18 mm x P 12,5 mm
- Poids : 10 grammes
- Solution à double microphone pour Noise Blackout™
- Optimisation du son numérique par la technologie DSP
- Réduction du bruit lors de la transmission et de la réception audio
- Contrôle du volume en fonction du niveau de bruit*
- Réglage automatique du volume lors de la réception du son
- Protection contre les chocs acoustiques
- Qualifié pour la spécification Bluetooth version 2.0 + EDR (taux avancé de données), avec prise en charge des profils oreillette et mains libres pour les conversations téléphoniques et du profil Advanced Audio Distribution Profile (A2DP) pour la lecture de musique en transit
- e-SCO pour une qualité audio accrue
- Cryptage 128 bits
- Portée : jusqu'à 10 m (environ 33 pieds)

MISE EN ROUTE

Avant d'utiliser votre oreillette, suivez la procédure en trois étapes décrite ci-dessous

1. Charger votre oreillette

2. Activer Bluetooth sur votre téléphone portable

(reportez-vous au manuel de votre téléphone portable)

3. Appairer l'oreillette avec votre téléphone portable

La Jabra BT530 est facile à utiliser. La touche Réponse/Fin de l'oreillette assure diverses fonctions, selon la durée de pression.

Instruction	Durée de pression
Tapez	Appuyez brièvement
Double-tapez	2 pressions répétées rapidement
Appuyez	environ 1 seconde
Appuyez et maintenez enfoncée	environ 5 secondes

CHARGER VOTRE OREILLETTE

Vérifiez que l'oreillette est entièrement chargée avant de commencer à l'utiliser (environ deux heures). Utilisez l'alimentation CA pour charger à partir d'une prise secteur. Lorsque l'indicateur lumineux (DEL) est allumé en fixe, votre oreillette est en charge. Lorsque la DEL est allumée en vert fixe, votre oreillette est entièrement chargée.

N'utilisez jamais d'autres chargeurs que ceux qui sont fournis avec l'oreillette, ou vous risqueriez de l'endommager.

Ce que vous voyez	Niveau de charge
Voyant rouge allumé en continu	Moins de 70 % de charge
Voyant jaune allumé en continu	Entre 70 % et la charge complète
Voyant vert allumé en continu	Batterie entièrement chargée

Veillez noter : que la durée de vie de la batterie sera considérablement réduite si votre appareil reste déchargé pendant une longue période. Par conséquent, nous vous recommandons de le recharger au moins une fois par mois.

MISE EN MARCHÉ ET ARRÊT DE L'OREILLETTE

- Mettez le bouton marche/arrêt vers l'avant de l'oreillette afin de la mettre sous tension. Le voyant clignote en vert pendant une seconde lorsque l'oreillette est allumée.
- Mettez le bouton marche/arrêt vers l'arrière afin de mettre l'oreillette hors tension.

APPAIRAGE AVEC VOTRE TÉLÉPHONE

Les oreillettes sont connectées au téléphone par une procédure dite d'« appairage ». En suivant quelques étapes simples, un téléphone peut être appairé à une oreillette en quelques minutes.

1. Mettez l'oreillette en mode appairage

- Lorsque vous activez votre Jabra BT530 pour la première fois, l'oreillette démarre automatiquement en mode d'appairage. En d'autres termes, elle est repérable par votre téléphone. Lorsque l'oreillette est en mode d'appairage, la DEL est allumée de façon fixe.

2. Réglez votre téléphone Bluetooth pour qu'il « détecte » l'oreillette Jabra BT530

- Suivez le mode d'emploi de votre téléphone. Tout d'abord, vérifiez que la fonction Bluetooth est activée sur votre téléphone portable. Ensuite, configurez votre téléphone pour qu'il recherche l'oreillette. Généralement, les étapes sont les suivantes : « réglages », « connexion » ou bien le menu Bluetooth de votre téléphone, puis l'option « détection » ou « ajout » d'un périphérique Bluetooth*.

3. Votre téléphone détecte l'oreillette Jabra BT530

- Votre téléphone trouvera l'oreillette sous le nom « Jabra BT530 ». Votre téléphone demandera ensuite si vous voulez l'appairer avec l'oreillette. Acceptez en appuyant sur « Oui » ou « OK » sur le téléphone et saisissez le mot de passe ou code PIN = 0000 (4 zéros). Votre téléphone confirme que l'appairage est terminé.



En cas d'échec de l'appairage, mettez l'oreillette Jabra BT530 en mode d'appairage manuel. Assurez-vous que l'oreillette est en marche. Appuyez sur la touche Réponse/Fin et maintenez-la enfoncée pendant environ 5 secondes jusqu'à ce que la DEL soit allumée en fixe. Maintenez la touche enfoncée jusqu'à ce que la DEL soit allumée en fixe.

STYLE DE PORT

La Jabra BT530 est prête à l'emploi mais peut être utilisée avec ou sans boucle. Cette dernière peut être enlevée et l'oreillette peut être utilisée avec les gels pour oreille Ultimate Comfort.

Les gels pour oreilles Ultimate Comfort peuvent être portés indifféremment à droite et à gauche. La BT530 est fournie avec un gel pour oreille de taille moyenne, mais il est possible de le remplacer par un gel de taille petite ou grande. Vous pouvez également tordre légèrement le gel pour un meilleur confort et un port plus ajusté. Pour une performance optimale, portez l'oreillette Jabra BT530 et votre téléphone mobile du même côté ou dans la même ligne de visée. Vous obtiendrez généralement une meilleure performance s'il n'y a aucun obstacle entre l'oreillette et le téléphone.

COMMENT...

Répondre à un appel

- Pour répondre à un appel, tapez sur la touche Réponse/Fin de l'oreillette.

Terminer un appel

- Pour finir un appel en cours, tapez sur la touche Réponse/Fin.

Refuser un appel*

- Pour refuser un appel entrant, appuyez sur la touche Réponse/Fin quand le téléphone sonne. Selon les paramètres de votre téléphone, le correspondant sera transféré sur votre messagerie vocale ou recevra la tonalité « occupé ».

Effectuer un appel

- Si vous effectuez un appel à partir de votre téléphone portable, l'appel sera automatiquement transféré à l'oreillette (en fonction des paramètres du téléphone). Si votre téléphone ne permet pas cette fonction, tapez sur la touche Réponse/Fin du Jabra BT530 pour transférer l'appel vers l'oreillette.

Activer la numérotation vocale*

- Appuyez sur la touche Réponse/Fin. Vous obtiendrez de meilleurs résultats si vous enregistrez l'identité de numérotation vocale via votre oreillette. Veuillez consulter le mode d'emploi de votre téléphone pour davantage d'informations sur cette fonction.

Rappeler le dernier numéro*

- Tapez deux fois sur la touche réponse/fin lorsque l'oreillette est allumée et non utilisée.

Régler le son et le volume*

- Appuyez sur la touche de volume haut ou bas (+ ou -) pour régler le volume sonore.

Activer/désactiver la fonction Secret

- Pour utiliser la fonction Secret, appuyez sur les deux touches volume, bas et haut, en même temps. Un long bip d'alerte se fait entendre pendant que le son est coupé.
- Pour réactiver le microphone, tapez sur l'une des touches volume.

Utiliser la fonction double appel/mise en attente*

- Cette fonction vous permet de mettre un appel en attente pendant que vous répondez à un autre appel.
- Pour mettre l'appel en cours en attente et répondre à l'appel entrant, appuyez une fois sur la touche Réponse/Fin.
- Pour passer d'un appel à l'autre, appuyez sur la touche Réponse/Fin.
- Pour finir l'appel en cours, tapez sur la touche Réponse/Fin.

Vérifier le niveau de charge de la batterie

- Tapez sur l'une des touches de volume pour voir le niveau de la batterie.

Ce que vous voyez	Niveau de batterie/Temps de conversation
2 clignotements verts	1 heure à 5 heures et demie de temps de conversation
2 clignotements jaunes	10 min.-1 heure
2 clignotements rouges	10 min.

EXPLICATION DES VOYANTS LUMINEUX

Ce que vous voyez	Niveau de batterie/Temps de conversation
Lumière bleue et verte clignotante	Appel entrant
Clignotements bleus	Clignotement toutes les trois secondes : En mode Veille et connecté au téléphone portable (uniquement pendant 1 minute puis éteint)
Lumière verte clignotante	Clignotement toutes les trois secondes : En mode veille – non connecté (uniquement pendant 1 minute puis éteint)
Clignotements bleus	Clignotement toutes les secondes : appel actif (uniquement pendant 30 secondes puis éteint)
Clignotements rouges	Batterie faible
Lumière violette clignotante	Clignotement toutes les secondes : Connecté à la lecture audio en transit A2DP (uniquement pendant 30 secondes puis éteint)
Voyant bleu allumé en fixe	En mode appairage
Lumière violette fixe	Mode d'appairage spécial pour la musique Voir le chapitre Diagnostic des pannes et questions fréquentes
Voyant vert allumé en continu	Batterie entièrement chargée
Voyant jaune allumé en continu	Niveau de charge entre 70 % et charge complète
Voyant rouge allumé en continu	Niveau de charge inférieur à 70 %

ÉCOUTER DE LA MUSIQUE AVEC LA JABRA BT530

La Jabra BT530 est en mesure de lire de la musique sur un périphérique Bluetooth – qu'il s'agisse d'un téléphone portable ou de tout autre périphérique Bluetooth prenant en charge A2DP. Une fois que vous avez appairé la BT530 avec votre téléphone portable au lecteur Bluetooth, utilisez votre téléphone ou le lecteur pour lire, faire une pause, arrêter, passer à la piste suivante ou revenir à la piste précédente. Lorsque vous recevez un appel, la musique est automatiquement interrompue et vous pouvez répondre à l'appel ou le rejeter par le biais de l'oreillette. Lorsque vous terminez l'appel, la musique reprend. Sur certains téléphones et appareils de lecture de musiques, il sera peut-être nécessaire d'appuyer sur la touche de lecture pour que la musique reprenne.

UTILISATION DE LA BT530 AVEC DEUX TÉLÉPHONES PORTABLES

La Jabra BT530 peut être connectée à deux téléphones portables (ou périphériques Bluetooth) en même temps. Cela vous donnera la liberté de n'avoir qu'une oreillette permettant d'utiliser vos deux téléphones portables. Veuillez noter que la fonction de Rappel du dernier numéro composera le numéro à partir du dernier appel sortant, indépendamment du téléphone portable et la fonction de numérotation vocale ne fonctionnera qu'avec le dernier téléphone portable appairé.

UTILISATION D'UN HUB BLUETOOTH JABRA

La Jabra BT530 peut être utilisée avec le Hub Bluetooth Jabra (vendu séparément). Cela vous permettra d'utiliser l'oreillette avec votre téléphone portable et votre téléphone de bureau.

Pour appairer la Jabra BT530 au hub Bluetooth Jabra

La procédure d'appairage est un peu différente:

1. Mettre la Jabra BT530 en mode appairage.
2. Mettre le hub Bluetooth Jabra en mode d'appairage.
3. Les placer à proximité l'un de l'autre. Pas besoin de code pin dédié pour appairer les deux produits Jabra.

Consultez le manuel d'utilisation du Hub Bluetooth Jabra pour plus d'informations sur la procédure à suivre pour connecter le hub Bluetooth à votre téléphone de bureau. L'utilisation de l'oreillette Jabra BT530 avec le Hub Bluetooth Jabra est très comparable à l'utilisation de l'oreillette avec un seul téléphone portable. La seule différence réside dans le transfert d'un appel de l'oreillette au téléphone de bureau.

Transférer l'appel vers l'oreillette

- Tapez sur la touche Réponse/Fin pour transférer l'appel du téléphone de bureau vers l'oreillette via le Hub Bluetooth Jabra.

Pour répondre à un appel à partir du téléphone de bureau, un décrocheur est nécessaire pour permettre à l'oreillette Jabra BT530 de répondre automatiquement à l'appel.

DIAGNOSTIC DES PANNES ET QUESTIONS FRÉQUENTES

J'entends des craquements

- Bluetooth est une technologie radio, c'est-à-dire sensible aux objets qui se trouvent entre l'oreillette et le périphérique connecté. Elle est conçue pour que l'oreillette et le périphérique connecté puissent être utilisés à une distance de 10 mètres l'un de l'autre, en l'absence de tout objet massif entre eux (murs, etc.).

Je n'entends rien dans mon oreillette

- Augmentez le volume dans l'oreillette.
- Assurez-vous que l'oreillette a été correctement appairée avec le périphérique.
- Vérifiez que votre téléphone est connecté à l'oreillette en tapant sur la touche Réponse/Fin.

Je rencontre des problèmes d'appairage

- Vous avez peut-être supprimé la connexion d'appairage dans votre téléphone portable. Suivez les instructions d'appairage.

Je veux réinitialiser l'oreillette

- Il est possible de réinitialiser et de tester l'oreillette en appuyant sur les trois touches en même temps et en les maintenant enfoncées. Le voyant rouge, bleu et vert s'allumera en blanc. Dans ce mode, la liste d'appairage est réinitialisée et vous pouvez tester le fonctionnement de l'oreillette en étant en mesure d'entendre le son du haut-parleur à partir du microphone.

- L'oreillette sera automatiquement désactivée au bout d'environ 10 secondes. Lors de la prochaine mise sous tension, l'oreillette passera en mode d'appairage comme la toute première fois que vous avez allumé votre BT530.

La Jabra BT530 peut-elle fonctionner avec d'autres périphériques Bluetooth ?

- La Jabra BT530 est conçue pour fonctionner avec des téléphones portables Bluetooth. Elle peut aussi fonctionner avec tout appareil Bluetooth conforme à la version Bluetooth 1.1 ou plus récente. Elle prend également en charge les profils oreillette, mains libres et/ou distribution avancée du son.

Je n'arrive pas à utiliser les fonctions de rejet d'appel, de mise en attente, de rappel du dernier numéro ou de numérotation vocale

Ces fonctions dépendent de la capacité de votre téléphone à prendre en charge un profil mains libres. Même si le profil main libre est appliqué, le rejet d'appel, la mise en attente d'un appel et la numérotation vocale sont des fonctions facultatives qui ne sont pas prises en charge par tous les périphériques. Veuillez vous reporter au manuel de votre appareil pour plus de détails.

Veuillez noter que certaines fonctions ne peuvent être utilisées qu'à partir du périphérique principal, par exemple la numérotation vocale avec l'oreillette Jabra BT530 utilisée avec deux téléphones portables.

BESOIN D'AIDE SUPPLÉMENTAIRE ?

1. Site Web : www.jabra.com/nasupport

2. Téléphone : 1 (800) 489-4199 (Canada)

ENTRETIEN DE VOTRE OREILLETTE

- Entrez le Jabra BT530 hors tension et bien protégé.
- Évitez de le stocker à des températures extrêmes (plus de 45 °C/113 °F – surtout au rayonnement solaire direct – ou moins de -10 °C/14 °F). La longévité de la pile peut en être réduite, et le fonctionnement peut se dégrader. Des températures élevées peuvent aussi dégrader ses performances.
- Évitez d'exposer le Jabra BT530 à la pluie ou à d'autres liquides.

AVERTISSEMENT !

DES NIVEAUX SONORES EXCESSIFS PEUVENT ENDOMMAGER VOTRE OÙÏE. UTILISEZ LE VOLUME LE PLUS BAS POSSIBLE.

Une exposition prolongée à des volumes élevés peut entraîner une dégradation permanente de l'ouïe. Le casque est capable de produire des sons à niveau sonore élevé et des notes aiguës. Dans certaines circonstances, l'exposition à ce type de sons peut provoquer des pertes auditives définitives. Le niveau sonore peut varier en fonction de conditions telles que le type de téléphone utilisé, sa réception, les paramètres de volume et l'environnement. Évitez l'utilisation prolongée du casque à des niveaux excessifs de pression sonore. Lisez attentivement les directives de sécurité ci-dessous avant d'utiliser ce casque.

Vous pouvez réduire le risque de lésions auditives en suivant les directives de sécurité suivantes :

1. Avant d'utiliser ce produit, veuillez suivre les étapes ci-dessous :

- Avant de mettre le casque, réglez le volume au niveau le plus bas,
- Mettez le casque, puis
- Réglez progressivement le volume à un niveau confortable.

2. Pendant l'utilisation du produit :

- Gardez le volume au niveau le plus bas possible et évitez d'utiliser le casque dans des environnements bruyants où vous seriez tenté d'augmenter le volume ;
- S'il est nécessaire d'augmenter le volume, réglez-le progressivement ;
- Un bourdonnement dans les oreilles peut signifier que le niveau sonore est trop élevé ;
- Si vous ressentez de la gêne ou un bourdonnement dans vos oreilles, arrêtez immédiatement l'utilisation du casque et consultez un médecin ; et
- Arrêtez d'utiliser le casque en cas de gêne.

En cas d'utilisation prolongée à un volume élevé, vous pouvez vous accoutumer à ce niveau sonore, ce qui peut entraîner des dommages irréversibles à votre ouïe, et ce sans gêne perceptible.

INFORMATION SUR LA SÉCURITÉ !

- L'utilisation d'un casque vous empêchera d'entendre d'autres sons. Soyez prudent si vous utilisez le casque lorsque vous pratiquez une activité qui requiert toute votre attention.
- En cas de port de stimulateur cardiaque ou d'autres appareils médicaux électriques, il convient de consulter votre médecin avant d'utiliser cet appareil.
- Ce paquet contient de petites pièces qui peuvent représenter un danger pour les enfants et doit être placé hors de portée des enfants. Les sacs en eux-mêmes ainsi que les petits éléments qu'ils contiennent présentent un risque d'étouffement s'ils sont avalés.
- N'essayez jamais de démonter vous-même le produit. Aucun des composants ne peut être remplacé ou réparé par l'utilisateur. Seuls des distributeurs ou centres de service autorisés sont habilités à ouvrir le produit. Si une partie de votre produit nécessite d'être remplacée pour quelque raison que ce soit, y compris l'usure normale et la casse, veuillez contacter votre distributeur.
- N'exposez pas le produit à la pluie ou à d'autres liquides afin d'éviter tout risque de lésion pour vous ou de dommage pour le produit.
- Si ce produit comporte des embouts, ces derniers doivent reposer contre le canal auditif sans toutefois y pénétrer.
- Conservez tous les produits, cordons et câbles à l'écart de machines en cours de fonctionnement.
- Respectez tous les panneaux et les instructions qui exigent l'arrêt de tout appareil électrique ou produit à radiofréquence dans certaines zones, notamment les hôpitaux, les zones de tir, les atmosphères potentiellement explosives ou les avions.
- En cas de surchauffe du produit, ou en cas de chute ou d'endommagement du produit ou de son cordon/sa prise, si le produit a été immergé dans un liquide, arrêtez de vous en servir et contactez GN Netcom, Inc.
- Ne montez jamais ni ne stockez le produit dans une zone de déploiement de coussin à air au risque de subir lésions graves lors du déploiement de coussin à air.

N.B. : conduisez toujours prudemment en respectant la législation locale!

Il peut être dangereux et, dans certaines juridictions, illégal, d'utiliser le casque en conduisant un véhicule à moteur, une moto, un bateau ou un vélo. Renseignez-vous sur la réglementation locale. Soyez prudent si vous utilisez le casque lorsque vous pratiquez une activité qui requiert toute votre attention. Dans ce cas, retirer le casque ou l'éteindre éliminera toute distraction, de sorte à éviter un accident ou des blessures. Veillez également à écouter les communications et à ne pas prendre de notes ni lire de documents en conduisant.

ENTRETIEN DE LA BATTERIE INTÉGRÉE :

- Votre appareil est alimenté grâce à une batterie rechargeable.
- Les performances optimales de la nouvelle batterie sont atteintes uniquement après deux à trois cycles de chargement et de déchargement complets.
- La batterie peut être chargée et déchargée des centaines de fois mais elle est destinée à s'user. Rechargez votre batterie uniquement avec les chargeurs approuvés fournis désignés pour cet appareil.
- Débranchez le chargeur de la prise électrique et de l'appareil lorsqu'il n'est pas en utilisation. Ne laissez pas une batterie complètement chargée sur un chargeur car la surcharge peut réduire sa durée de vie.
- Si elle est laissée non utilisée, une batterie entièrement chargée perdra sa charge au fil du temps.
- Le fait de laisser l'appareil dans des endroits chauds ou froids, comme dans une voiture fermée en été ou en hiver, réduira la capacité et la durée de vie de la batterie.
- Essayez toujours de conserver la batterie entre 15 °C et 25 °C (59 °F et 77 °F). Un appareil avec une batterie chaude ou froide peut ne pas fonctionner de façon temporaire, même lorsque la batterie est entièrement chargée. Les performances de la batterie sont particulièrement limitées dans des températures au-dessous de zéro.
- Ne jetez pas les batteries dans un feu car elles peuvent exploser.
- Les batteries peuvent aussi exploser si elles sont endommagées.

Avertissement concernant la batterie !

- « Attention » - La batterie utilisée dans cet appareil peut représenter un risque d'incendie ou de brûlure chimique en cas de mauvaise utilisation.
- N'essayez pas d'ouvrir le produit ou d'en changer la batterie. Elle est intégré et n'est pas destinée à être changée.
- L'utilisation d'autres batteries peut représenter un risque d'incendie ou d'explosion et entraîne une annulation de la garantie.
- Rechargez votre batterie uniquement avec les chargeurs approuvés fournis désignés pour cet appareil.
- Mettez les batteries au rebut conformément aux réglementations locales. Recyclez lorsque cela est possible. Ne les mettez pas au rebut avec les déchets ménagers.
- Conservez toujours le produit hors de portée des enfants.

ENTRETIEN DU CHARGEUR :

- N'essayez pas de charger votre casque avec un autre adaptateur CA que celui fourni. L'utilisation d'un autre type d'adaptateur CA peut endommager ou détruire le casque et peut invalider une approbation ou garantie et peut être dangereuse. Pour la disponibilité des accessoires approuvés, veuillez consulter votre distributeur.

Important : L'indicateur visuel « de couleur » sera allumé pendant le chargement et s'éteindra une fois le chargement terminé. Le casque ne peut pas être utilisée pendant le chargement.

Avertissement concernant le chargeur !

- Lorsque vous débranchez le cordon d'alimentation ou tout accessoire, attrapez et tirez la prise, pas le cordon.
- N'essayez pas de démonter le chargeur au risque de vous trouver exposé à un choc électrique. Un nouvel assemblage incorrect peut entraîner un choc électrique lors d'une utilisation ultérieure.
- Évitez de charger votre casque dans des conditions de température trop élevées ou trop basses ; n'utilisez pas le chargeur en extérieurs ou dans des endroits humides.
- Chargez le produit selon les instructio.

GARANTIE

Garantie limitée d'un (1) an :

GN Netcom, Inc. garantit que ce produit est exempt de tout défaut de fabrication et de main-d'œuvre (soumis aux conditions présentées ci-dessous) pendant une période d'un (1) an à compter de la date d'achat (la « Période de garantie »). Pendant la Période de garantie, GN s'engage à réparer ou à remplacer (à sa discrétion) ce produit ou toute pièce défectueuse (« Service de garantie »). Si une réparation ou un remplacement n'est pas opportun(e) ou possible commercialement, GN peut choisir de vous rembourser le prix d'achat du produit concerné. Selon les conditions de cette garantie, la réparation ou le remplacement ne peut donner lieu à une extension ou une nouvelle date de début de la garantie.

Réclamations sous garantie :

Pour bénéficier du service de garantie, veuillez contacter le distributeur GN qui vous a vendu ce produit, ou visitez www.jabra.com pour plus d'informations sur l'assistance clientèle. Vous devrez retourner ce produit soit au distributeur soit à GN (si cela est spécifié sur www.jabra.com) dans son emballage d'origine ou un emballage qui assure une protection équivalente. Les frais de retour du produit à GN restent à votre charge. Si le produit est couvert par la garantie, GN s'engage à vous le renvoyer à nos frais après exécution du service de garantie. Les frais de renvoi vous seront facturés pour des produits non couverts par la garantie ou qui ne remplissent pas les conditions requises pour une réparation. Vous devez fournir les éléments suivants pour bénéficier du service de garantie : (a) le produit et (b) une preuve d'achat indiquant clairement le nom et l'adresse du revendeur, la date d'achat et le type de produit, permettant d'établir que le produit est bien couvert par la période de garantie. Veuillez également indiquer (c) votre adresse pour le renvoi du produit, (d) le numéro de téléphone où vous êtes joignable en journée et (e) la raison du retour du produit. Dans le cadre des efforts de GN pour réduire les déchets et la pollution de l'environnement, nous vous signalons que le produit peut contenir du matériel reconditionné composé d'éléments usagés, dont certains de récupération. Les composants réutilisés répondent tous aux normes strictes de qualité de GN, et sont conformes aux spécifications de performance et de fiabilité pour les produits GN. Vous comprenez que les pièces ou composants remplacés deviennent dès lors la propriété de GN.

Limitation de la garantie :

La présente garantie s'applique uniquement à l'acheteur initial et prendra automatiquement fin avant la date d'expiration si le produit est vendu ou autrement cédé à des tiers. La garantie offerte par GN dans le présent document s'applique uniquement aux produits achetés pour un usage personnel et non pour la revente. Elle n'est pas valable pour des produits vendus avec l'emballage ouvert, « tels quels » et sans aucune garantie. La présente garantie ne couvre pas les consommables exposés à l'usure normale, tels qu'écrans anti-vent, bouchons d'oreille, fiches modulaires, embouts, revêtements décoratifs, batteries et autres accessoires. La présente garantie est rendue nulle si le numéro de série, l'étiquette du code de date ou l'étiquette produit apposés en usine ont été modifiés ou enlevés. La présente garantie ne couvre pas les défauts ou dommages résultant : (a) de mauvaises conditions de stockage, d'abus ou d'usage incorrect, d'un accident ou de négligence, notamment des dégâts physiques (fissures, éraflures, etc.) sur la surface du produit résultant d'une mauvaise utilisation ; (b) d'un contact avec un liquide, de l'eau, de la pluie, une humidité extrême ou une forte transpiration, du sable, de la poussière ou élément identique, de la chaleur extrême, ou de la nourriture ; (c) de l'utilisation du produit ou des accessoires à des fins commerciales ou soumettant le produit ou les accessoires à un usage ou des conditions anormales ; ou (d) d'autres actes qui ne sont pas du fait de GN. La présente garantie ne couvre pas les dommages dus à une mauvaise utilisation, maintenance ou installation, ou à des tentatives de réparation par d'autres personnes que des réparateurs GN ou un distributeur GN autorisé pour la réparation. Toute réparation non autorisée annulera la présente garantie. La présente garantie ne couvre pas les défauts ou dommages résultant de l'utilisation de produits, accessoires, ou autres matériels périphériques ne portant pas la marque GN ou n'étant pas certifiés par GN.

LES RÉPARATIONS OU REMPLACEMENTS EFFECTUÉS SOUS GARANTIE CONSTITUENT L'UNIQUE RECOURS DU CLIENT. GN N'EST NULLEMENT RESPONSABLE DE TOUT DOMMAGE ACCIDENTEL OU SUBSÉQUENT RÉSULTANT D'UNE RUPTURE DE LA GARANTIE EXPLICITE OU IMPLICITE DU PRODUIT. EXCEPTÉ DANS LA MESURE OU CELA EST INTERDIT PAR LA LÉGISLATION EN VIGUEUR, LA PRÉSENTE GARANTIE EST EXCLUSIVE ET REMPLACE TOUTE AUTRE GARANTIE EXPLICITE OU IMPLICITE, Y COMPRIS, MAIS NON LIMITÉ À, TOUTE GARANTIE DE COMMERCIALISATION ET D'ADÉQUATION À UN USAGE SPÉCIFIQUE.

REMARQUE ! Cette garantie vous accorde des droits particuliers, mais vous pouvez également avoir d'autres droits, variant d'un pays à un autre. Du fait que certaines juridictions n'autorisent pas l'exclusion ou la limitation de responsabilité pour des dommages accessoires ou indirects ou des garanties tacites, l'exclusion susmentionnée peut ne pas s'appliquer à votre cas. La présente garantie n'affecte pas vos droits légaux (statutaires) applicables aux termes de la législation nationale ou locale.

CERTIFICATION ET AGRÉMENTS AUX FINS DE LA SÉCURITÉ

FCC :

Cet appareil est conforme à l'article 15 du règlement FCC. Son utilisation est soumise aux deux conditions suivantes : (1) Cet appareil ne doit générer aucune interférence nuisible, mais (2) il doit accepter toute interférence reçue, même si ces interférences perturbent son fonctionnement. Les utilisateurs ne sont pas autorisés à modifier l'appareil de quelque façon que ce soit. Toute modification qui n'est expressément approuvée par Jabra (GN Netcom, Inc.) risque d'annuler l'autorisation de l'utilisateur à utiliser cet appareil. Cf. 47 CFR Sec. 15.21. Cet appareil a été testé et jugé conforme aux limites pour les équipements numériques de classe B, en vertu de l'article 15 du règlement FCC. Ces limites ont été instaurées pour fournir une protection raisonnable contre toute interférence nuisible en milieu résidentiel. Cet équipement génère, utilise et peut émettre des fréquences radio et, s'il n'est pas installé et utilisé conformément aux instructions du constructeur, peut perturber la réception radio. Il n'est cependant pas garanti que l'équipement ne produira aucune interférence dans une installation particulière. Si cet équipement devait causer des interférences nuisant à la réception radio ou télévisée, ce qui peut être vérifié en l'éteignant puis en le remettant sous tension, l'utilisateur est invité à essayer de remédier au problème en prenant les mesures suivantes :

- réorienter ou déplacer l'antenne réceptrice ;
- augmenter la distance qui sépare l'équipement du poste récepteur ;
- raccorder l'équipement à une prise secteur se trouvant sur un circuit différent de celui utilisé par le récepteur ;
- contacter le revendeur ou demander l'aide d'un technicien radio/télévision expérimenté.

L'appareil et son antenne ne doivent pas être co-chargés ou fonctionner avec d'autres antennes ou transmetteurs.

Industrie Canada L'utilisation de ce produit est soumise aux deux conditions suivantes :

(1) Cet appareil ne doit générer aucune interférence, mais (2) il doit accepter toute interférence reçue, même si ces interférences perturbent son fonctionnement. Cf. RSS-GEN 7.1.5. Le sigle « IC » placé devant le numéro de certification ou d'enregistrement signifie uniquement que l'enregistrement s'est effectué conformément à une déclaration de conformité et indique que les spécifications techniques d'Industrie Canada ont été respectées. Il n'implique pas qu'Industrie Canada a approuvé l'équipement.

CE :

Ce produit est certifié conforme CE et conforme à la directive R&TTE (99/5/CE). GN Netcom A/S déclare par la présente que ce produit est conforme aux exigences essentielles et autres dispositions pertinentes de la directive 1999/5/CE. Pour plus de renseignements, veuillez consulter <http://www.jabra.com>.

Bluetooth :

La marque et les logos Bluetooth® appartiennent à Bluetooth SIG, Inc. et leur utilisation par Jabra est sous licence. Les autres marques déposées et noms commerciaux sont la propriété de leurs détenteurs respectifs.

GLOSSAIRE

- 1. Bluetooth** est une technologie radio permettant de connecter des appareils, notamment un téléphone portable une oreillette, sans fil ni cordon électrique, sur une courte distance (environ 10 mètres). Pour plus d'informations, rendez-vous sur le site www.bluetooth.com
- 2. Les profils Bluetooth** sont les différentes manières dont les appareils Bluetooth communiquent avec d'autres appareils. Les téléphones Bluetooth prennent en charge soit le profil oreillette, soit le profil mains libres, soit les deux profils. Afin de prendre en charge un profil spécifique, le fabricant de téléphone doit intégrer certaines fonctions obligatoires dans le logiciel du téléphone.

3. **L'appairage** crée un lien unique et crypté entre deux appareils Bluetooth et leur permet de communiquer entre eux. Les appareils Bluetooth ne peuvent fonctionner ensemble sans avoir été d'abord appairés.
4. **Le mot de passe ou NIP** est un code que vous entrez dans votre téléphone portable afin d'effectuer une procédure d'appairage avec votre Jabra BT530. Il permet à votre téléphone et à l'oreillette BT530 de se reconnaître et de fonctionner automatiquement ensemble.
5. **Le mode** veille est actif lorsque le Jabra BT530 attend passivement un appel. Lorsque vous « terminez » un appel sur votre téléphone portable, l'oreillette se place automatiquement en mode veille.



Mettez le produit au rebut en respectant les normes et règlements locaux, consultez la page :

www.jabra.com/weee

PORTUGUÊS

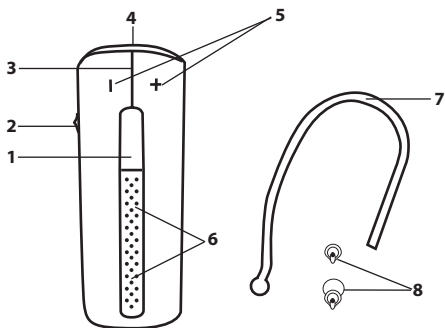
OBRIGADO.....	2
SOBRE O SEU JABRA BT530	2
O QUE O FONE DE OUVIDO FAZ.....	3
INICIANDO.....	4
CARREGAR O SEU FONE DE OUVIDO	4
LIGAR E DESLIGAR O FONE DE OUVIDO	5
EMPARELHAR COM O TELEFONE	5
ESTILO DE USO MODERNO.....	6
COMO FAZER PARA	6
O QUE AS LUZES SIGNIFICAM.....	8
ESCUTAR MÚSICA USANDO O JABRA BT530.....	9
USANDO O BT530 COM DOIS TELEFONES CELULARES.....	9
USAR UM HUB BLUETOOTH JABRA.....	9
SOLUÇÃO DE PROBLEMAS E PMF	10
PRECISA DE MAIS AJUDA?	11
CUIDADOS COM O FONE DE OUVIDO.....	11
ATENÇÃO!	11
INFORMAÇÕES DE SEGURANÇA!.....	12
CUIDADOS COM A BATERIA INTEGRADA:.....	13
CUIDADOS COM O CARREGADOR:	15
GARANTIA	15
CERTIFICAÇÃO E APROVAÇÕES DE SEGURANÇA	17
GLOSSÁRIO	19

OBRIGADO

Obrigado por ter comprado o fone de ouvido Jabra BT530 Bluetooth®. Esperamos que você goste! Este manual de instruções fornecerá informações para você começar a desfrutar o máximo de seu fone de ouvido.

SOBRE O SEU JABRA BT530

- 1 Botão de atender/terminar**
- 2 Botão Liga/Desliga**
- 3 Luz de LED**
- 4 Soquete de carga**
- 5 Aumentar/reduzir volume**
- 6 Microfones**
- 7 Gancho de ouvido**
- 8 Gels de ouvido**



O QUE O FONE DE OUVIDO FAZ

O Jabra BT530 permite:

- Atender chamadas
- Terminar chamadas
- Rejeitar chamadas*
- Discagem com voz*
- Rediscagem do último número*
- Chamada em espera*
- Colocar chamada em espera*
- Silenciar
- Multi-ponto - Conexão em dois dispositivos Bluetooth simultaneamente
- Reproduzir música*

Especificações

- Tempo de conversação até 5½ horas/tempo de espera até 250 horas
- Bateria recarregável com opção de carregamento a partir de fonte de alimentação CA, PC através de cabo USB ou carregador de viatura (não incluído)
- Luzes de cores diferentes para indicação de status e bateria
- Modo inativo – Apaga a luz depois de um minuto
- Tamanho: C 48 mm x L 18 mm x P 12,5 mm
- Peso: 10 gramas
- Solução de microfone duplo para Noise Blackout™
- Aprimoramento do som digital através da tecnologia DSP
- Redução do ruído no áudio transmitido e recebido
- Ruído dependente do controle de volume*
- Ajuste automático do volume na recepção do áudio
- Proteção de choque acústico
- Compatível com a Especificação Bluetooth versão 2,0 + EDR (Enhanced Data Rate), suporta Perfis de fone de ouvido e de viva-voz para conversações telefônicas e Advanced Audio Distribution Profile (A2DP) para transferência de música
- e-SCO para qualidade de áudio aprimorado
- Criptação de 128 bits
- Alcance de operação de 10 metros (aproximadamente 33 pés)

INICIANDO

Deve seguir três passos antes de usar o fone de ouvido

- 1. Carregar o seu fone de ouvido**
- 2. Ative o Bluetooth no telefone celular (consulte o manual do celular)**
- 3. Emparelhe o fone de ouvido com o telefone celular**

É fácil usar o Jabra BT530. O botão de atender/terminar no fone de ouvido possui funções diferentes, dependendo do modo como pressionar.

Instrução	Duração da pressão
Toque	Pressionar brevemente
Toque duas vezes	Tocar rapidamente duas vezes
Pressione	Aprox: durante 1 segundo
Pressione sem soltar	Aprox: durante 5 segundos

CARREGAR O SEU FONE DE OUVIDO

Certifique-se de que seu fone de ouvido esteja totalmente carregado antes de começar a usá-lo (duração aproximada de 2 horas). Use a fonte de alimentação AC para efetuar o carregamento a partir de uma tomada. Quando o indicador luminoso (LED) estiver fixo, o fone de ouvido está carregado. Quando o indicador luminoso de LED estiver na cor verde fixa, o fone de ouvido está totalmente carregado.

Use somente o carregador fornecido na caixa – não use carregadores de outros dispositivos pois isso poderia danificar seu fone de ouvido.

O que você vê	Nível de carga
Vermelho fixo	Menos que 70%
Amarelo fixo	Entre 70% e totalmente carregado
Verde fixo	Totalmente carregado

Nota: O tempo de vida da bateria será significativamente reduzido, se seu dispositivo for deixado descarregado durante muito tempo. Assim, recomendamos que você descarregue o dispositivo, ao menos, uma vez por mês.

LIGAR E DESLIGAR O FONE DE OUVIDO

- Deslize para a frente o botão liga/desliga no lado do fone de ouvido para o ligar. O LED piscará na cor verde durante um segundo quando o fone de ouvido estiver ligado.
- Deslize para trás o botão liga/desliga para desligar o fone de ouvido.

EMPARELHAR COM O TELEFONE

O fone de ouvido é conectado nos telefones usando um procedimento chamado de 'emparelhamento'. Seguindo uma série de passos simples, um telefone pode ser rapidamente emparelhado com uma fone de ouvido.

1. Coloque o fone no modo de emparelhamento

- Quando ligar o Jabra BT530 pela primeira vez, ele ficará no modo de emparelhamento, ou seja, fica detectável pelo telefone. Quando o fone estiver no modo de emparelhamento, o LED fica ligado.

2. Coloque o telefone Bluetooth para 'descobrir' o Jabra BT530

- Siga as instruções fornecidas no manual do telefone. Em primeiro lugar, certifique-se de que o Bluetooth está ativado no celular. Depois, coloque o telefone para descobrir o fone. Este procedimento permite, geralmente, acessar um menu de 'configuração', 'conexão' ou 'Bluetooth' no telefone e a seleção da opção para 'descobrir' ou 'adicionar' um dispositivo Bluetooth.*

3. O seu telefone encontrará o Jabra BT530

- O telefone encontrará o fone de ouvido com o nome "Jabra BT530". Em seguida, o telefone pergunta se deseja efetuar o emparelhamento com o fone. Aceite, pressionando 'Sim' ou 'OK' no telefone e confirme com a senha ou PIN = 0000 (4 zeros). O telefone confirmará quando o emparelhamento estiver concluído.



No caso do emparelhamento não ser bem sucedido, coloque o Jabra BT530 no modo de emparelhamento manualmente. Verifique se o fone de ouvido está ligado. Pressione sem soltar o botão de atender/terminar durante, aproximadamente, 5 segundos até o LED ficar fixo. Mantenha pressionado o botão até a luz ficar fixa.

ESTILO DE USO MODERNO

O Jabra BT530 está preparado para uso, mas pode ser usado com ou sem o gancho de ouvido. O gancho de ouvido pode ser removido e o fone pode ser usado com os gels Ultimate Comfort Ear.

Os gels Ultimate Comfort Ear podem ser usados no lado direito e esquerdo. O BT530 é fornecido com um gel de ouvido de tamanho médio, mas pode ser substituído por um pequeno ou grande. Também pode torcer ligeiramente o gel de ouvido para otimizar o conforto. Para obter um desempenho otimizado, use o Jabra BT530 e o telefone celular no mesmo lado do corpo, ou dentro do raio de alcance. Em geral, você obterá melhor desempenho quando não existirem obstáculos entre o fone de ouvido e o telefone celular.

COMO FAZER PARA

Atender uma chamada

- Toque no botão atender/terminar no fone de ouvido para atender uma chamada.

Terminar uma chamada

- Toque no botão atender/terminar para terminar uma chamada ativa.

Rejeitar uma chamada*

- Pressione o botão de atender/terminar quando o telefone tocar, para rejeitar uma chamada recebida. Dependendo das definições do telefone, a pessoa que ligou será encaminhada para o correio de voz ou ouvirá um sinal de ocupado.

Efetuar uma chamada

- Quando efetuar uma chamada do telefone celular, ela será transferida automaticamente para o fone de ouvido (dependente das definições do telefone). Se seu telefone não permitir este recurso, toque no botão de atender/terminar no Jabra BT530 para transferir a chamada no fone de ouvido.

Ativar a discagem com voz*

- Pressione o botão de atender/terminar. Para obter melhores resultados, grave a informação de discagem com voz pelo fone de ouvido. Consulte o Manual do Usuário do telefone para mais informações sobre o uso deste recurso.

Rediscar último número*

- Toque duas vezes no botão de atender/terminar quando o fone de ouvido estiver ligados mas não em uso.

Ajustar o som e o volume*

- Toque no botão de aumentar ou reduzir volume para ajustar o volume.

Silenciar/Anular silêncio

- Para silenciar, pressione simultaneamente o botão de aumentar e reduzir volume. Um sinal sonoro baixo é emitido durante uma chamada silenciada.
- Para anular o silêncio, toque em um dos botões de volume.

Chamada em espera e reter uma chamada*

- Esta função lhe permite reter uma ligação durante uma conversa e atender uma chamada em espera.
- Pressione uma vez o botão de atender/terminar para colocar uma chamada ativa em espera, e atender a chamada em espera.
- Pressione o botão de responder/terminar para alternar entre as duas chamadas.
- Toque no botão atender/terminar para terminar a conversa ativa.

Indicador de bateria

- Toque em um dos botões de volume para ver o nível da bateria.

O que você vê	Nível da bateria/Tempo de conversação
2 flashes verdes	1-5½ horas de tempo de conversação
2 flashes amarelos	10 minutos a 1 hora
2 flashes vermelhos	10 minutos

O QUE AS LUZES SIGNIFICAM

O que você vê	Nível da bateria/Tempo de conversação
Luzes azul e verde piscando	Chamada recebida
Luz azul piscando	Piscando a cada três segundos: No modo de espera e conectado no telefone celular (somente durante 1 minuto, e depois desliga)
Luz verde piscando	Piscando a cada três segundos: Em modo de espera – não conectado (somente durante 1 minuto e depois desliga)
Luz azul piscando	Piscando a cada segundo: Chamada ativa (somente durante 30 segundos e depois desliga)
Luz vermelha piscando	Bateria ficando fraca
Luz púrpura piscando	Piscando a cada segundo: Conectado em música de fluxo A2DP (somente durante 30 segundos e depois desliga)
Luz azul constante	No modo de emparelhamento
Luz púrpura constante	Modo de emparelhamento especial de música Veja o capítulo Resolução de problemas e PMF - Perguntas Mais Frequentes
Luz verde constante	Totalmente carregado
Luz amarela constante	Nível de carga entre 70% e totalmente carregado
Luz vermelha constante	Nível de carga menor que 70%

ESCUTAR MÚSICA USANDO O JABRA BT530

O Jabra BT530 pode transferir música através de Bluetooth - a partir do telefone celular ou de qualquer outro dispositivo Bluetooth que suporte A2DP. Depois de você ter emparelhado o BT530 com o telefone celular ou com o leitor de música Bluetooth, use o telefone celular ou o leitor para reproduzir, efetuar uma pausa, parar, avançar ou retroceder. Quando recebe uma chamada, a música será automaticamente suspensa e poderá atender ou rejeitar uma chamada através do fone de ouvido. Após ter terminado uma chamada, a música deverá recomeçar. Em alguns telefones e dispositivos de música, pode ter de pressionar em 'reproduzir' para recomeçar a música.

USANDO O BT530 COM DOIS TELEFONES CELULARES

O Jabra BT530 pode ter dois telefones celulares (ou dispositivos Bluetooth) conectados ao mesmo tempo. Isto lhe dá a liberdade de ter somente um fone de ouvido a funcionarem com ambos os telefones celulares. Note que a Rediscagem do último número discará o número da última chamada efetuada, independentemente do telefone celular, e a função Discagem por voz só funcionará no último telefone celular emparelhado.

USAR UM HUB BLUETOOTH JABRA

O Jabra BT530 pode ser usado com o Hub Bluetooth Jabra (vendido separadamente). Isso lhe permite usar o fone de ouvido com o telefone celular e com telefone do escritório.

Para emparelhar o Jabra BT530 com o Hub Bluetooth Jabra

O processo de emparelhamento é um pouco diferente:

1. Coloque o Jabra BT530 no modo de emparelhamento.
2. Coloque o Hub Bluetooth Jabra no modo de emparelhamento.
3. Coloque os dispositivos perto um do outro. Não precisa de um código PIN dedicado para emparelhar os dois produtos Jabra.

Consulte o manual do usuário do Hub Bluetooth Jabra para mais informações sobre como conectar o hub Bluetooth em seu telefone de escritório. O uso do Jabra BT530 com o Hub Bluetooth Jabra é muito semelhante ao uso do fone de ouvido somente com um telefone celular. A única diferença está na transferência de uma chamada para o fone de ouvido a partir do telefone do escritório.

Transferir a chamada para o fone de ouvido

- Toque no botão de atender/terminar para transferir a chamada do telefone do escritório para o fone de ouvido através do Hub Bluetooth Jabra.

O atendimento de uma chamada a partir do telefone do escritório requer um suporte do fone de ouvido, de modo que o Jabra BT530 atendam a chamada automaticamente.

SOLUÇÃO DE PROBLEMAS E PMF

Ouçõ pequenos estalos como ruídos

- Bluetooth é uma tecnologia de rádio que é sensível a objetos entre o fone de ouvido e o dispositivo conectado. Esta tecnologia foi projetada para que o fone de ouvido e o dispositivo conectado sejam usados em um espaço de 10 metros entre eles, sem grandes objetos no caminho (paredes, etc.).

Não tenho nenhum som no fone de ouvido

- Aumente o volume no fone de ouvido.
- Certifique-se de que o fone de ouvido está emparelhados com um dispositivo que esteja reproduzindo.
- Certifique-se de que o telefone está conectado no fone de ouvido, tocando no botão Atender/Terminar.

Estou tendo problemas no emparelhamento

- Talvez você tenha excluído a conexão de emparelhamento do fone de ouvido com seu telefone celular. Siga as instruções de emparelhamento.

Eu desejo redefinir o fone de ouvido

- É possível redefinir e testar o fone de ouvido 'pressionando sem soltar' simultaneamente todos os três botões. As luzes vermelha, azul e verde acender-se-ão em uma luz branca. Nesse modo, a lista de emparelhamento é redefinida, e pode testar o funcionamento do fone de ouvido pois poderá ouvir áudio no alto-falante a partir do microfone.
- O fone de ouvido se desligará automaticamente após cerca de 10 segundos. Da próxima vez que ligar, os auscultadores entrarão no modo de emparelhamento tal como quando ligou o BT530.

O Jabra BT530 funcionará com outros equipamentos Bluetooth?

- O Jabra BT530 é projetado para funcionar com telefones móveis Bluetooth. Também pode trabalhar com outros dispositivos compatíveis com a versão Bluetooth 1.1 ou superior, e que suportem um perfil de distribuição de áudio avançado e/ou fone de ouvido de viva-voz.

Não consigo usar Rejeitar chamada, Chamada em espera, Rediscagem nem Discagem com voz

Estes recursos dependem da capacidade de seu telefone suportar um perfil de viva-voz. Mesmo se o perfil de viva-voz for implementado para rejeitar chamadas, a chamada em espera e a discagem com voz são recursos opcionais não suportados por todos os dispositivos. Consulte o manual do dispositivo para detalhes.

Note que alguns recursos somente podem ser operados a partir do dispositivo principal, por exemplo, a discagem com voz usando o Jabra BT530 com 2 telefones celulares.

PRECISA DE MAIS AJUDA?

- 1. Web:** www.jabra.com/nasupport
- 2. Telefone:** 1 (800) 489-4199 (Canadá)

CUIDADOS COM O FONE DE OUVIDO

- Guarde sempre os Jabra BT530 com a alimentação desligada e protegidos de forma segura.
- Evite guardá-los a temperaturas extremas (acima de 45°C/113°F – incluindo a luz solar directa – ou abaixo de -10°C/14°F). Se não o fizer, pode reduzir a vida da bateria e afectar o funcionamento. As altas temperaturas também podem degradar o desempenho.
- Não exponha os Jabra BT530 à chuva ou a outros líquidos.

ATENÇÃO!

NÍVEIS DE VOLUME EXCESSIVOS PODEM CAUSAR DANOS PERMANENTES NA AUDIÇÃO. USE O MENOR VOLUME POSSÍVEL.

A perda permanente da audição pode resultar de uma exposição longa a som com volume elevado. Os fones de ouvido podem produzir sons em volumes altos e tons agudos. Em algumas circunstâncias, a exposição a esses sons pode resultar em perda

permanente de audição. O nível de volume pode variar com base em condições como o telefone que você estiver usando, as suas configurações de volume e recepção e o ambiente. Evite o uso prolongado do fone de ouvido com volumes excessivos de pressão do som. Leia as instruções de segurança abaixo antes de usar este fone de ouvido.

Pode reduzir o risco de danos de audição seguindo estas diretrizes de segurança

1. Antes de usar o produto, siga estas etapas:

- Antes de colocar o fone de ouvido, gire o controle do volume para o seu nível mais baixo.
- Coloque o fone de ouvido e em seguida
- Ajuste lentamente o controle de volume para um nível confortável.

2. Durante o uso deste produto:

- Mantenha o volume no menor volume possível e evite usar o fone de ouvido em ambientes barulhentos onde você possa precisar aumentar o volume;
- Se o volume aumentado for necessário, ajuste o controle de volume lentamente;
- Zumbidos nos ouvidos pode indicar que os níveis de som estão demasiado altos;
- Se sentir desconforto em seus ouvidos, interrompa imediatamente o uso do fone de ouvido e consulte um médico; e
- Pare de usar o fone de ouvido se ele causar grande desconforto.

Usando continuamente com volume alto, os seus ouvidos podem ficar acostumados ao nível do som, o que pode resultar em danos permanentes à sua audição, sem desconforto observável.

INFORMAÇÕES DE SEGURANÇA!

- O uso de um fone de ouvido pode comprometer sua capacidade para escutar outros sons. Tenha cuidado ao usar o fone de ouvido ao realizar qualquer atividade que exija a máxima atenção.
- Se você tem um pace-maker ou outro dispositivo médico elétrico, deve consultar o médico antes de usar o dispositivo.
- Este pacote contém peças pequenas que podem ser perigosas para as crianças, e deve ser guardado fora do alcance das crianças. As bolsas ou as pequenas peças que estão contidas nelas podem fazer engasgar, se ingeridas.

- Nunca tente desmontar o produto por conta própria. Nenhum dos componentes pode ser substituído ou consertado pelos usuários. Somente revendedores ou centros de serviços autorizados podem abrir o produto. Se qualquer parte de seu produto precisar de substituição por qualquer razão, incluindo desgaste ou quebra, entre em contato com o revendedor.
- Evite expor seu produto à chuva, umidade ou a outros líquidos para o proteger contra danos ou ferimentos em você.
- Se este produto tiver almofadas de ouvido, elas não devem entrar no canal do ouvido.
- Mantenha todos os produtos e cabos afastados da maquinaria de operação.
- Observe todos os sinais e instruções que necessitem que um dispositivo elétrico ou produto de RF seja desligado em determinadas áreas como, por exemplo, hospitais, áreas com risco de explosões, atmosferas potencialmente explosivas ou em um avião.
- Se este produto sobre aquecer, se cair ou se danificar, se tiver um cabo danificado, ou se cair em um líquido, não o use mais e contate a GN Netcom, Inc.
- Nunca monte ou armazene o produto sobre uma área de airbag, pois pode ocorrer um ferimento grave quando o airbag abrir.

Lembre-se: Dirija sempre com segurança, evite distrações e siga as leis locais!

Usar o fone de ouvido enquanto dirige um veículo, moto, barco ou bicicleta pode ser perigoso, e é ilegal em algumas jurisdições, tal como o uso deste fone de ouvido com ambos os ouvidos cobertos enquanto dirige não é permitido em algumas jurisdições. Verifique a legislação local. Tenha cuidado ao usar o fone de ouvido ao realizar qualquer atividade que exija a máxima atenção. Ao realizar tal atividade, remova o fone de seu ouvido ou desligue o fone para impedir distração, evitando acidente ou ferimentos. Tente manter, também, as conversas curtas e não tire notas nem leia documentos.

CUIDADOS COM A BATERIA INTEGRADA:

- Seu dispositivo é alimentado por uma bateria recarregável.
- O desempenho completo de uma bateria nova é alcançado somente após dois ou três ciclos completos de carga e descarga.

- A bateria pode ser carregada e descarregada centenas de vezes, mas eventualmente ficará gasta. Recarregue sua bateria somente com os carregadores aprovados fornecidos projetados para este dispositivo.
- Desligue o carregador da tomada elétrica e o dispositivo quando não estiver sendo usado. Não deixe uma bateria totalmente carregada conectada em um carregador, porque o sobrecarregamento pode reduzir o tempo de vida.
- Se for deixada sem ser usada, uma bateria totalmente carregada perderá a carga ao longo do tempo.
- Deixar o dispositivo em locais quentes ou frios, como em uma viatura fechada no verão e no inverno, reduzirá a capacidade e o tempo de vida da bateria.
- Tente manter sempre a bateria entre 15°C e 25°C (59°F e 77°F). Um dispositivo com uma bateria quente ou fria talvez não funcione temporariamente, mesmo quando a bateria está totalmente carregada. O desempenho da bateria é particularmente limitado em temperaturas bem abaixo do congelamento.
- Não descarte as baterias no fogo porque elas podem explodir.
- As baterias também podem explodir se forem danificadas.

Aviso da bateria!

- "Cuidado" – A bateria usada neste dispositivo pode apresentar um risco de incêndio ou queimadura química se não for manuseada corretamente.
- Não tente abrir o produto ou substituir a bateria. Ela está integrada e não pode ser trocada
- O uso de outras baterias pode apresentar um risco de incêndio ou explosão, e a garantia terminará.
- Recarregue sua bateria somente com os carregadores aprovados fornecidos projetados para este dispositivo.
- Descarte as baterias de acordo com os regulamentos locais. Efetue a reciclagem sempre que for possível. Não descarte como lixo doméstico.
- Armazene sempre o produto fora do alcance das crianças.

CUIDADOS COM O CARREGADOR:

- Não tente carregar o fone de ouvido com outro dispositivo que não o adaptador de CA fornecido. O uso de outros tipos pode danificar ou destruir o fone de ouvido, e tornar inválida todas as aprovações ou garantias, e pode ser perigoso. Para saber da disponibilidade de acessórios aprovados, consulte um representante.

Importante: A luz indicadora de “cor” ficará acesa durante o carregamento e se apagará quando o carregamento estiver completo. O fone de ouvido não pode ser usado durante o carregamento.

Aviso sobre o carregador!

- Quando você desconectar o cabo de força de qualquer acessório, pegue e puxe a ficha e não o cabo, e nunca use um carregador danificado.
- Não tente desmontar o carregador pois pode ficar exposto a choques elétricos perigosos. A remontagem incorreta pode causar choques elétricos ou incêndio quando o produto for posteriormente usado.
- Evite carregar o fone de ouvido em temperaturas extremamente altas ou baixas, e não use o carregador em exteriores ou em áreas úmidas.
- Carregue o produto de acordo com as instruções fornecidas com este produto.

GARANTIA

Garantia limitada de um (1) ano

A GN Netcom, Inc. garante que este produto está sem defeitos em materiais e relacionados à mão-de-obra (sujeito aos termos definidos abaixo) por um período de um (1) ano, a partir da data de compra (“Período de Garantia”). Durante o Período de Garantia, a GN consertará ou substituirá (decidido pela GN) este produto ou as suas peças defeituosas (“Serviço da Garantia”). Se a substituição ou o conserto não for comercialmente viável ou não puder ser feito a tempo, a GN pode escolher reembolsá-lo com o valor pago pelo produto afetado. O conserto ou a substituição de acordo com os termos desta garantia não dá direito a nenhuma extensão ou um novo início do período de garantia.

Reivindicações sob a garantia:

Para obter o Serviço de Garantia, entre em contato com o revendedor da GN do qual você comprou este produto ou visite www.jabra.com para obter maiores informações sobre suporte ao cliente. Você precisará devolver este Produto para o revendedor ou enviá-lo para o revendedor ou para a GN (se estiver indicado no www.jabra.com) em sua embalagem original ou em uma embalagem que possua o mesmo grau de proteção. Você pagará pelo custo da remessa do produto para a GN. Se o Produto estiver coberto pela garantia, a GN pagará o custo de enviar o produto para você após a realização dos serviços dentro da garantia. O valor da remessa será cobrado a você no caso de produtos não cobertos pela garantia ou que não precisem de consertos. As seguintes informações precisam ser apresentadas para se obter o Serviço de Garantia. (a) o produto e (b) prova de compra, que claramente indicam o nome e o endereço do vendedor, a data de compra e o tipo do produto, evidência que o produto está dentro do Período de Garantia. Inclua também (c) o endereço de retorno, (d) o número de telefone de dia, e (e) uma razão detalhada para o retorno. Como parte dos esforços da GN para reduzir lixo ambiental, você entende que este produto pode consistir de equipamentos reconicionados que contém componentes usados, alguns dos quais foram retrabalhados. Todos os componentes usados estão de acordo com os padrões de alta qualidade da GN e com as especificações de desempenho de produto e as especificações de confiabilidade da GN. Você entende que os componentes ou as peças substituídas se tornarão propriedade da GN.

Limitação de Garantia:

Esta garantia só é válida para o comprador original e será terminada automaticamente antes da expiração se este produto for vendido ou transferido para outra pessoa. A garantia fornecida pela GN nesta declaração se aplica só a produtos comprados para uso e não para venda. Não se aplica a compras de caixa aberta, que são vendidas como “como estão” e sem garantia. Especialmente isentos de garantia são os componentes consumíveis de vida útil reduzida sujeitos a desgaste normal, como protetores de microfone, almofadas de ouvido, plugues modulares, pontas de ouvidos, acabamentos decorativos, baterias e outros acessórios. Esta garantia é inválida se o número serial aplicado na fábrica, o rótulo do código ou o rótulo do produto tiverem sido alterados ou removidos do produto. Esta garantia não cobre defeitos ou danos que resultam de: (a) armazenamento impróprio, uso incorreto ou abuso, acidente ou negligência, como danos físicos

(rachas, riscos, etc.) na superfície do produto resultando de uso incorreto; (b) contato com líquidos, água, chuva, umidade extrema ou transpiração forte, areia, sujeira, calor extremo ou alimentos; (c) uso dos produtos ou acessórios para objetivos comerciais ou sujeitar o produto ou acessórios a condições ou uso anormais; ou (d) outras situações que não sejam da responsabilidade da GN. Esta Garantia não cobre danos devido à operação, manutenção ou instalação inadequada ou tentativa de reparo por qualquer um diferente de GN ou um revendedor de GN que seja autorizado a fazer trabalhos de garantia de GN. Consertos não autorizados anularão a Garantia. Esta Garantia não cobre defeitos ou danos que resultam do uso de acessórios, produtos não certificados que não da GN, ou outro equipamento periférico.

CONSERTOS OU SUBSTITUIÇÕES FORNECIDAS SOB ESTA GARANTIA SÃO A SOLUÇÃO EXCLUSIVA DO CONSUMIDOR. A GN NÃO SERÁ RESPONSABILIZADA POR QUALQUER DANO CONSEQUENCIAL OU INCIDENTAL DEVIDO A VIOLAÇÃO DE QUALQUER GARANTIA IMPLÍCITA OU EXPLÍCITA DESTE PRODUTO. EXCETO SE FOR PROIBIDO PELA LEGISLAÇÃO, ESTA GARANTIA É EXCLUSIVA E VÁLIDA NO LUGAR DE TODAS AS OUTRAS GARANTIAS IMPLÍCITAS OU EXPLÍCITAS, INCLUINDO, ENTRE OUTRAS, A GARANTIA DE COMERCIALIZAÇÃO E DE ADEQUAÇÃO A UM PROPÓSITO ADEQUADO.

OBS.! Esta garantia fornece direitos legais específicos. Você pode ter outros direitos que variarão de local para local. Algumas jurisdições não permitirão a exclusão ou limitação de danos consequenciais ou incidentais ou garantias implícitas, assim as exclusões acima podem não se aplicar a você. Esta garantia não afeta os seus direitos legais de acordo com a sua legislação nacional ou local.

CERTIFICAÇÃO E APROVAÇÕES DE SEGURANÇA

FCC: Este dispositivo está conforme a parte 15 da Regras FCC. A operação está sujeita às duas condições a seguir: (1) Este dispositivo não pode causar interferência prejudicial, e (2) este dispositivo deve aceitar todas as interferências recebidas, incluindo a interferência que pode causar uma operação indesejada. Os usuários não podem efetuar alterações ou modificar o dispositivo. As alterações ou modificações não aprovadas expressamente pela Jabra (GN Netcom, Inc.) impedirão o usuário de operar o equipamento. Veja 47 CFR Sec. 15.21. Este equipamento foi testado e está conforme os limites para um dispositivo digital da Classe B, e conforme a parte 15 da Regras FCC. Estes limites foram projetados para fornecerem uma proteção razoável contra interferências prejudiciais em uma

instalação residencial. Este equipamento gera, usa e pode emitir energia de frequência de rádio e, se não for instalado e usado conforme as instruções, pode causar interferências prejudiciais nas comunicações de rádio. Contudo, não existe garantia de que a interferência não ocorra em uma determinada instalação. Se este equipamento causar interferência prejudicial na recepção de rádio ou televisão, que pode ser determinada desconectando e conectando o equipamento, o usuário é encorajado para tentar corrigir a interferência através de uma ou mais das ações a seguir:

- Reorientar ou recolocar a antena de recepção.
 - Aumentar o espaço entre o equipamento e o receptor.
 - Conectar o equipamento em uma tomada em um circuito diferente daquele onde o receptor está conectado.
 - Consulte um especialista de rádio/TV para obter ajuda.
- O dispositivo e a antena não devem ser colocados nem operar em conjunto com outra antena ou transmissor.

Indústria Canadense A operação está sujeita às duas condições a seguir: (1) Este dispositivo não pode causar interferência, e (2) este dispositivo deve aceitar todas as interferências recebidas, incluindo a interferência que pode causar uma operação indesejada do dispositivo. Veja RSS-GEN 7.1.5. O termo "IC:" antes do número de certificação/registo somente significa que o registo foi efetuado com base em uma Declaração de Conformidade indicando que as especificações técnicas da Indústria Canadense foram atendidas. Isso não significa que a Indústria Canadense aprovou o equipamento.

CE

Este produto está marcado com CE, de acordo com as cláusulas da Diretiva R e TTE (99/5/EC). Portanto, a GN Netcom A/S declara que este produto está de acordo com as necessidades essenciais e outras cláusulas relevantes da Diretiva 1999/5/EC. Para obter mais informações, consulte <http://www.jabra.com>

Bluetooth A marca Bluetooth® e os logotipos são possuídos pela Bluetooth SIG, Inc. e qualquer uso destas marcas pela Jabra é feito de acordo com licença. As outras marcas comerciais e nomes registrados são de seus respectivos proprietários.

GLOSSÁRIO

- 1. Bluetooth** é uma tecnologia de rádio que conecta dispositivos, como telefones celulares e fones de ouvido, sem fios nem cabos, a uma curta distância (aprox. 10 metros). Obtenha mais informações em www.bluetooth.com
- 2. Os perfis Bluetooth** são formas diferentes por meio das quais os dispositivos Bluetooth se comunicam com outros dispositivos. Os telefones Bluetooth suportam o perfil de fone de ouvido, viva-voz ou ambos. Para suportar um certo perfil, o fabricante do telefone terá que implementar alguns recursos obrigatórios no software do telefone.
- 3. O emparelhamento** cria uma conexão única e criptografada entre dois dispositivos Bluetooth e permite a comunicação entre eles. Os dispositivos Bluetooth não funcionam se não tiverem sido emparelhados.
- 4. A chave ou senha** é um código que você digita no seu telefone celular para emparelhá-lo com o Jabra BT530. Isto faz com que o celular e o Jabra BT530 se reconheçam mutuamente e trabalhem automaticamente em conjunto.
- 5. Modo em espera** é quando o Jabra BT530 está passivamente aguardando uma chamada. Quando você 'encerra' uma chamada no telefone celular, o fone de ouvido fica em modo de espera.



Descarte o produto de acordo com os padrões e regulamentos locais.

www.jabra.com/weee

Jabra

MADE IN CHINA



TYPE: BT530
FCC ID: 530
IC: 530

© 2008 GN Netcom US, Inc. All rights reserved. Jabra® is a registered trademark of GN Netcom A/S. All other trademarks included herein are the property of their respective owners. The Bluetooth® word mark and logos are owned by the Bluetooth SIG, Inc. and any use of such marks by GN Netcom A/S is under license. (Design and specifications subject to change without notice).

www.jabra.com